

A Universal post base

- For clamp mounting to desktop or for through mounting in standard outlet hole up to Ø 80 mm
- Removable desk clamp for desktop thickness **14-70 mm**
- Height adjustment by sliding bracket
- Ø 70 mm base diameter
- With USB hub - includes 4 USB (2.0) ports for quick and easy connection of peripherals
- Silver (RAL 9006) die-cast aluminium
- **Order post separately**

	Cat. No.
With USB hub	818.10.910

Order qty: 1 pc

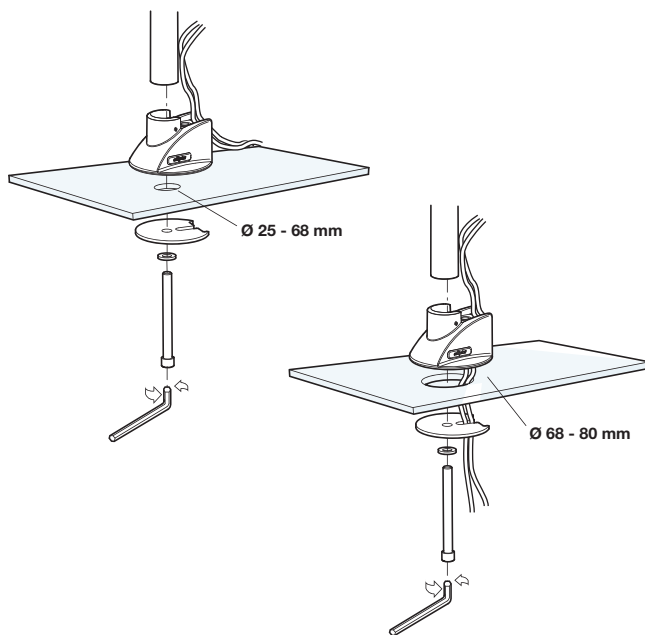
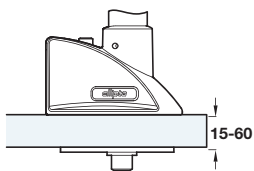
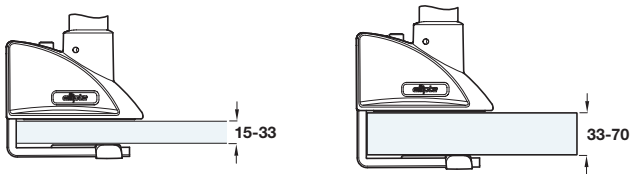
B Econo post base

- Two versions: For clamp mounting to desktop or for through mounting in standard outlet hole up to Ø 80 mm
- Removable desk clamp for desktop thickness **14-70 mm**
- Height adjustment by sliding bracket
- Ø 70 mm base diameter
- Silver (RAL 9006) die-cast aluminium
- **Order post separately**

	Cat. No.
Through-fix	818.10.921
Clamp on	818.10.920

Order qty: 1 pc

Mounting options for universal post base



C Post

- Pole Ø 37 mm
- Base Ø 70 mm
- Silver (RAL 9006) die-cast aluminium
- **Order post base, arm and clamps separately**

Length	Cat. No.
260 mm	818.10.901
530 mm	818.10.902

Order qty: 1 pc