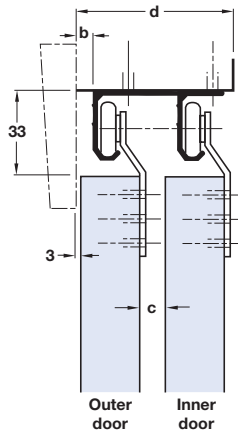
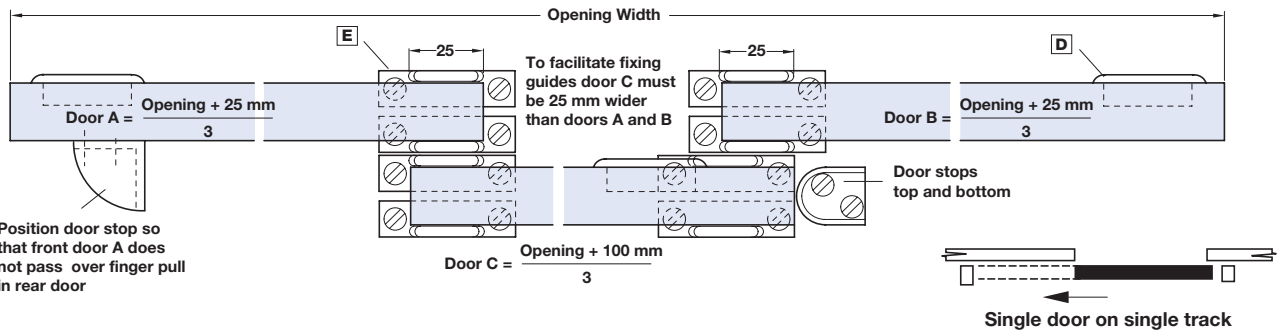
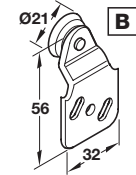
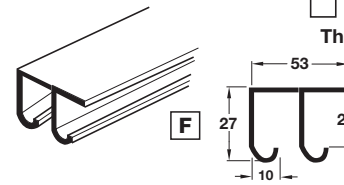


### Three door layout



Door Thickness	Dim b	Dim c	Dim d
22 mm	8.5	19.5	62
25 mm	11.5	16.5	65
28 mm	14.5	13.5	68
32 mm	19.5	9.5	73
35 mm	22.5	6.5	76



### • Concealed bottom guide

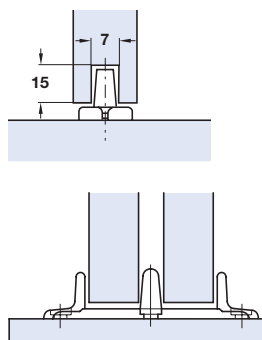
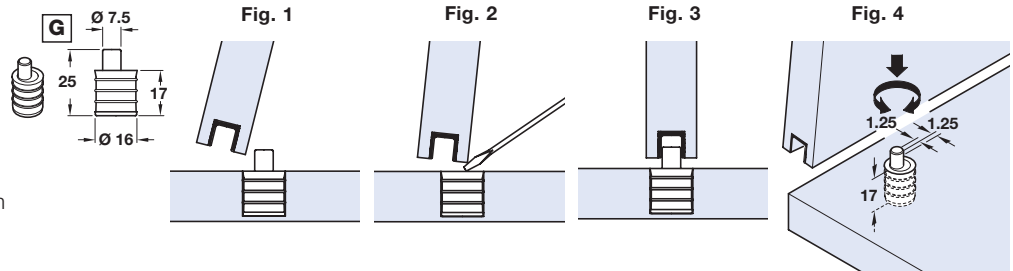
#### Installation note:

Fig. 1 Hang door by upper fittings

Fig. 2 Press guide lug down and swing door over guide until...

Fig. 3 ...lug engages into groove

Fig. 4 Lateral adjustment by  $\pm 2.5$  mm can be obtained by rotating the lug



### Single 60 and Twin 60 additional tracks and fittings

Item	Description	Base material and finish	Order qty	Cat. No.
F	Dual top track, 2.4 m for door thickness 22-25 mm, undrilled	Anodised aluminium	1 pc (2.4 m length)	407.24.024
B	Hanger back fixed, adjustable plated steel aprons	Nylon, ground steel	1 pair per door	407.26.900
G	Concealed bottom guide recess mounted, with cylindrical sprin mounted lug	Plastic	1 pc per door	406.32.013
H	Bottom guide for clear threshold applications, screw mounted	Grey plastic	1 pc per door	940.40.030
I	Double bottom guide adjustable for door thickness 19-35 mm, screw fixing	Natural coloured plastic	1 pc per pair of doors	407.01.951