

A Four sided column, double slotted on two sides

- For use with all brackets
- For use with column support rail
- Plastic coated steel

Length	Silver coloured (RAL 9006)
1315 mm	770.16.213
2115 mm	770.16.221
2515 mm	770.16.225

Order qty: 1 pc

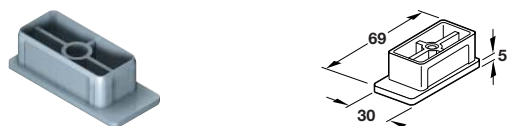


B Tubular Insert

- Plug fits into top or bottom of four sided 60 x 30 mm columns
- For use with M10 ceiling screw and adjustment feet
- Zinc alloy

Finish	Bright
Cat. No.	770.16.292

Order qty: 1 pc

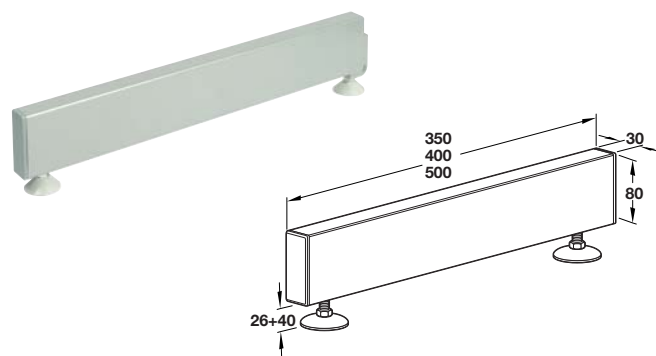


C Column insert with M10 thread

- Plug fits into top or bottom of four sided 60 x 30 mm columns
- With bearer for back panel
- For use with M10 ceiling screw and adjustment feet
- Zinc alloy

Finish	Bright
Cat. No.	770.16.294

Order qty: 1 pc

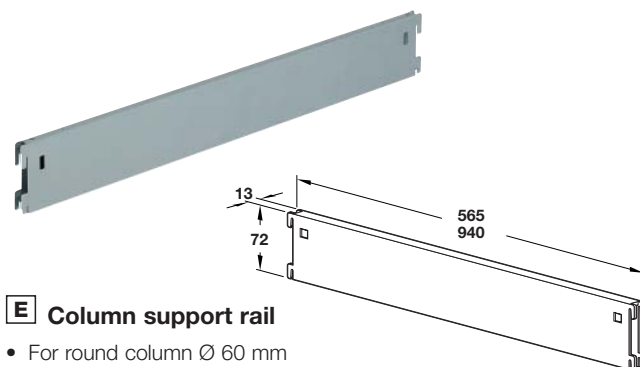


D Foot, 30 mm

- For use with 30 x 30 mm double slotted column and 60 x 30 mm columns
- With adjusting screws, adjustable +40 mm
- Plastic coated steel

Effective depth	Silver coloured (RAL 9006)
350 mm	770.16.280
400 mm	770.16.281
500 mm	770.16.282

Order qty: 1 pc



E Column support rail

- For round column Ø 60 mm
- 2 plastic safety clips included
- Plastic coated steel

Length	Centres	Silver coloured (RAL 9006)
565 mm	625 mm	770.19.206
940 mm	1000 mm	770.19.210

Order qty: 1 pc

TCH 2013. © Häfele U.K. Ltd 2013. Dimensional data not binding. We reserve the right to alter specifications without notice.