

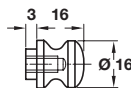
A Mini Push-Lock case

- Backset: **15 mm**
- Suitable for **16 mm** board thickness
- Unhanded
- Can be used to complement range shown on pages **145-147**
- Closes almost flush to the front of the door
- Plastic lock case with metal mechanism
- Order **knob** and **rosette** separately



Finish	Cat. No.
Brown	211.61.106
White	211.61.704
Matt nickel	211.61.606

Order qty: 1 pc

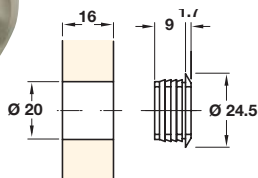


B Mini Push-Lock knob

- Plastic
- Order **lock case** and **rosette** separately

Finish	Cat. No.
Dark grey	229.06.510
Polished brass	229.07.802
Matt nickel	229.07.606
Polished chrome	229.01.211

Order qty: 10 pcs

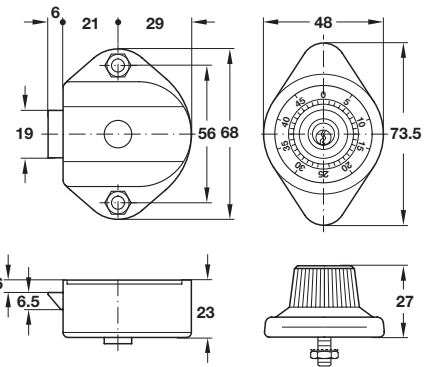


C Mini Push-Lock rosette

- Plastic
- Order **lock case** and **knob** separately

Finish	Cat. No.
Matt brass	229.09.502
Polished brass	229.09.806
Matt nickel	229.09.600
Polished chrome	229.03.241

Order qty: 10 pcs



D Mastercombi lock with spring bolt

- Left handed
- Lock housing: Galvanized and chromated steel
Housing cover: Stainless steel
Knob: Rustproof black plastic
Cylinder: Brass
- Accessories: 2 nuts and intergrated lock washer

	Cat. No.
Mastercombi lock	231.13.055

Order qty: 1 pc

E Control key

- For independant opening of the Mastercombi lock and for adjustment in new payment combination

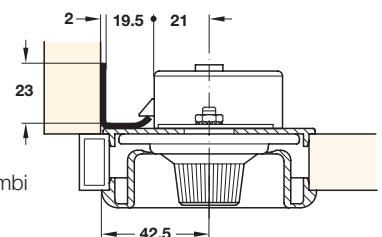


	Cat. No.
Control key	231.13.091

Order qty: 1 pc

F Strike plate

- For single panel doors
- For installation of Mastercombi in timber doors
- Nickel plated steel



	Cat. No.
Strike plate	231.13.706

Order qty: 1 pc