

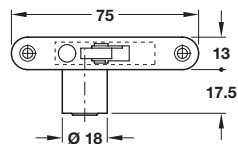
### A Roller shutter mortise lock case

- For use with  $\varnothing 18$  mm cylinder
- Backset: **22 mm**
- For left or right hand/drawer use, with lever bolt
- \*If converted to drawer use, the backset measurement is reduced by **2 mm** with cylinder **B**
- Bright steel lock case
- Brass-plated steel forend and striking plate
- **Accessories:** 1x striking plate
- **Cylinder** and **cylinder rosette** must be ordered separately



	Left hand	Right hand/Drawer
Cat. No.	230.37.256	230.37.201

Order qty: 1 pc



### B Cylinder, $\varnothing 18$ mm

- For use with mortise lock case **A**
- **5 plate levers** = 200 possible key changes
- Matt nickel-plated zinc alloy
- **Accessories:** 2x keys
- **Cylinder rosette** must be ordered separately

#### Random key changes

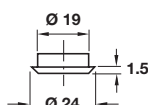
Cat. No.	230.22.602
----------	------------

Order qty: 1 pc

#### Keyed alike: Key change FH1

Cat. No.	230.22.611
----------	------------

Order qty: Multiples of 10 pcs

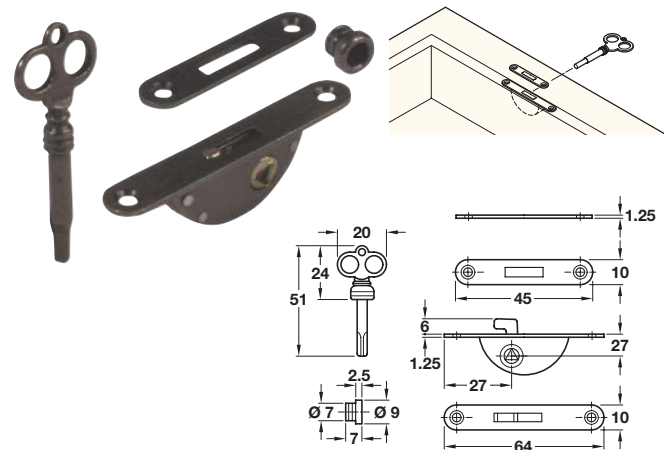


### C Cylinder rosette

- For use with  $\varnothing 18$  mm cylinders
- Steel

Finish	Cat. No.
Matt nickel-plated	219.19.676

Order qty: Multiples of 100 pcs



### D Hook bolt mortise lock

- Backset: **9 mm**
- Unhanded
- Steel
- **Accessories:** 1x triangular cast iron pin key, 1x brass bush and 1x striking plate, all bronzed



Finish	Cat. No.
Bronzed	238.06.108

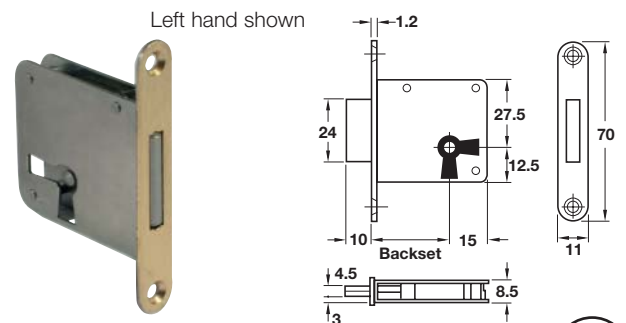
Order qty: Multiples of 50 pcs

### E Replacement key

- For hook bolt mortise lock **238.06.108**
- Bronzed cast iron key

Item	Cat. No.
Triangular pin key	238.06.190

Order qty: 1 pc



### F Mortise lock, lever bit, 2 position

- Backset: Choice of **15, 20, 25, 30, 35** or **40 mm**
- For left hand/drawer or right hand/drawer use
- Bright steel lock
- Brass-plated steel forend
- **Accessories:** **Decorative key** must be ordered separately, shown on page **18**
- **Striking plates** must be ordered separately, shown on page **27**



Backset	Left hand/Drawer	Right hand/Drawer
15 mm	213.01.306	213.01.208
20 mm	213.01.315	213.01.217
25 mm	213.01.324	213.01.226
30 mm	213.01.333	213.01.235
35 mm	213.01.342	213.01.244
40 mm	213.01.351	213.01.253

Order qty: Multiples of 10 pcs