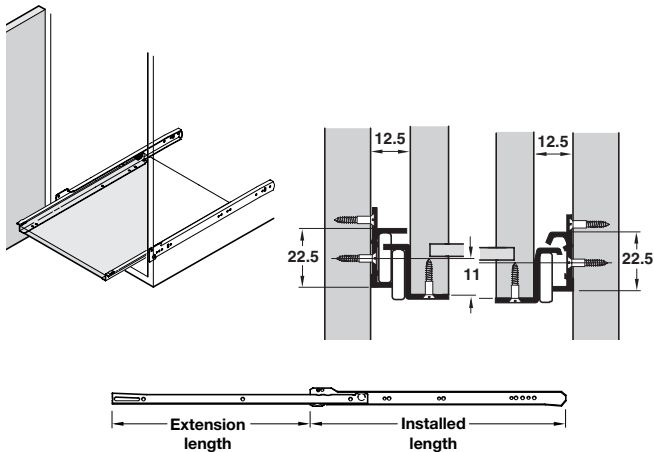


## Roller runners without front bracket

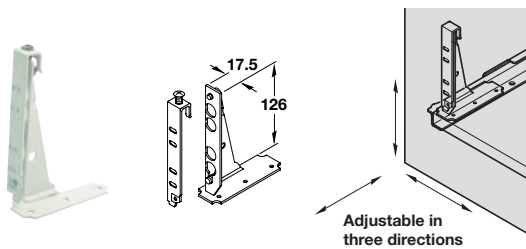


- > Load carrying capacity 20 kg
- > Self closing
- > Cream-white epoxy coated steel
- > Order qty: 1 pair



Installed length	Extension length	Cat. No.
450 mm	350 mm	423.44.472
500 mm	400 mm	423.44.520

## Front bracket

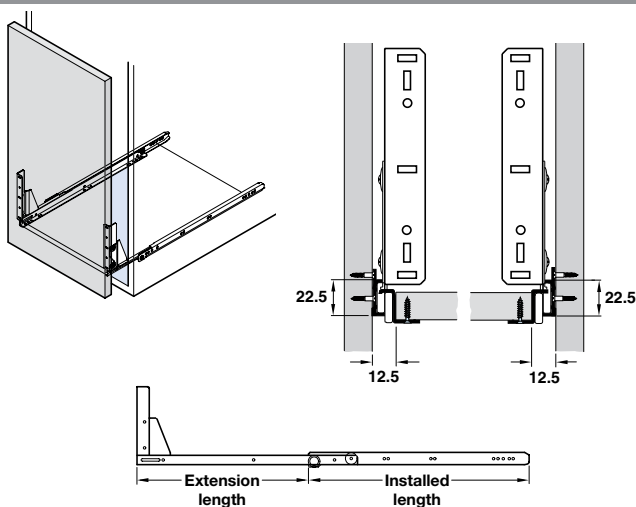


- > With adjusting element
- > For screw fixing directly to the drawer base
- > Easy to adjust, in three directions
- > Front panel is connected to and aligned with the adjusting element
- > White epoxy coated steel
- > Order qty: 1 pair (2 brackets and 2 elements)



Finish	Cat. No.
White	421.39.908

## Roller runners with front bracket



- > Load carrying capacity 25 kg
- > Self closing
- > Cream-white epoxy coated steel
- > Order qty: 1 pair



Installed length	Extension length	Cat. No.
450 mm	350 mm	423.45.479
500 mm	400 mm	423.45.510