

SHELF SUPPORTS

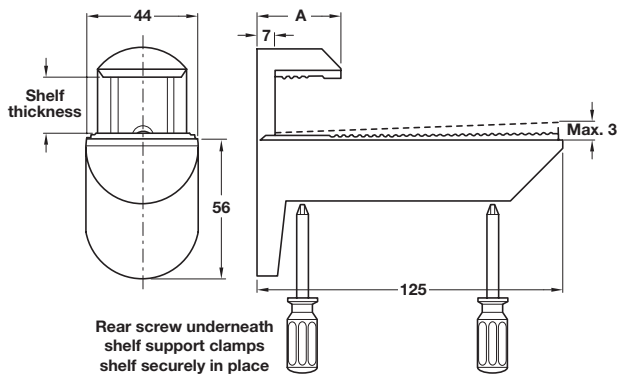
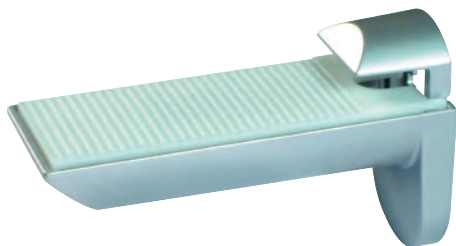
KAIMAN WALL FIXING SHELF SUPPORTS

ixconnect

Special fixing method for fine adjustment of bracket height to ensure shelves are level.



Kaiman shelf support for glass and wooden shelves



Rear screw underneath shelf support clamps shelf securely in place

Easy adjustment of front to back shelf angle using front screw underneath shelf support

- > Adjustable shelf support
- > For 7-41 mm or 39-73 mm shelf thickness
- > Special fixing method for fine adjustment of bracket height to ensure shelves are level
- > Shelf clamped between a layer of ridged plastic on both the lower and upper sides
- > Load capacity: 25 kg for a shelf 320 mm deep
- > These shelf supports can be spaced every 400-500 mm, depending on the use, load, material and thickness of the shelf
- > Screw fixings included for fixing to concrete or brick walls
- > Engineering plastic is a high quality plastic with good strength and weight qualities
- > Zinc alloy and engineering plastic
- > Order qty: 1 pair

Type	Shelf thickness	A
Kaiman	7-41 mm	30 mm
Kaiman Maxi	39-73 mm	36 mm



Finish	Kaiman	Kaiman Maxi
Aluminium	284.04.922	284.08.900
Stainless steel	284.04.022	284.08.000

COMPONENTS, FIXINGS AND CONSUMABLES 2014, © Häfele U.K. Ltd 2014. Dimensional data not binding. We reserve the right to alter specifications without notice.