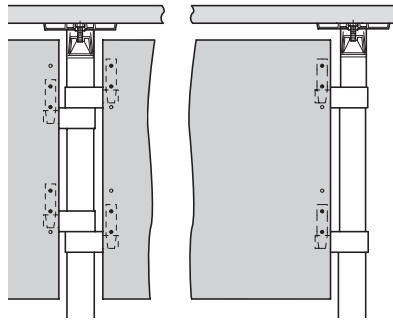
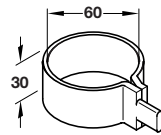


TABLE LEG FEET AND FIXINGS

> The Ø 60 mm legs shown on pages 145-146 can be used with the panel clamp and Keku fittings shown below to create a modesty screen



Panel clamp

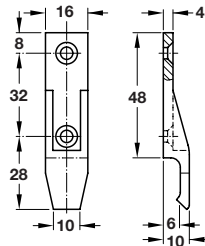


- > Fits Ø 60 mm table leg
- > Plastic
- > Order qty: Multiples of 4 pcs



Finish	Cat. No.
Black	654.34.390

Keku suspension fitting

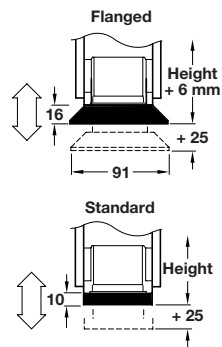


- > For use with panel clamp
- > Macrolon
- > Order qty: Multiples of 50 pcs



Finish	Cat. No.
Black	262.49.357

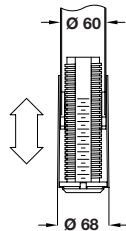
Flanged adjustable foot



- > For Ø 60 mm steel tubes, shown on page 149
- > With +25 mm height adjustment
- > This flanged foot will add an additional 6 mm to the height of any Ø 60 mm table leg shown on page 145
- > Plastic
- > Order qty: 1 pc

Finish	Cat. No.
Black	635.06.030

Adjustable foot



- > For Ø 60 mm steel tubes, shown on page 149
- > With 110 mm adjustment (+40, -70 mm)
- > With height scale, one turn = 5 mm height adjustment, lockable to position with clamping ring
- > Adjustable under load
- > Foot plate does not revolve with adjustment
- > Plastic
- > Order qty: 1 pc

Finish	Cat. No.
Black	635.06.060

COMPONENTS, FIXINGS AND CONSUMABLES 2014, © Häfele U.K. Ltd 2014. Dimensional data not binding. We reserve the right to alter specifications without notice.