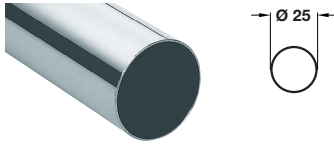


TABLE LEGS

Table legs for bespoke design, curved legs, folding table legs, square and conical legs, shown on pages 150-152.

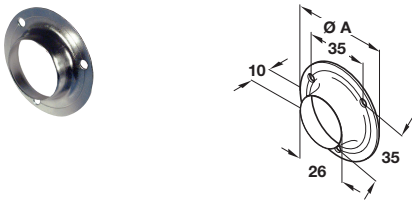
Steel tube, Ø 25 mm



- > 870 mm length
- > Steel, 0.7 mm wall thickness
- > Order qty: 1 pc

Finish	Cat. No.
Polished chrome-plated	801.30.216

Socket

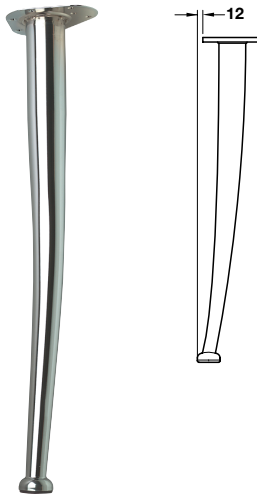


- > For use with Ø 25 mm tube
- > Steel
- > Order qty: 1 pc



Finish	Dim. A	Cat. No.
Chrome-plated	Ø 48 mm	803.53.220
Polished brass	Ø 56 mm	803.53.820

Curved leg, Ø 60 mm

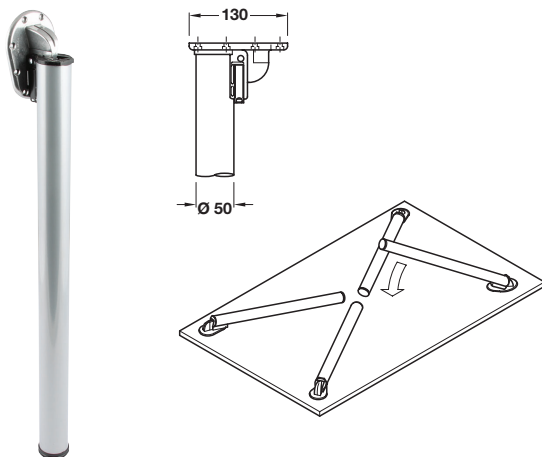


- > +15 mm adjustment
- > Steel screw fixing mounting plate welded to the leg
- > Tubular steel leg with black plastic height adjusting screw
- > Order qty: 1 pc



Finish	710 mm height
Polished chrome-plated	635.42.272

Cylindrical folding table leg, Ø 50 mm



- > +15 mm height adjustment
- > With zinc alloy folding mechanism
- > Steel with black plastic foot
- > Order qty: 1 pc



Finish	705 mm height
Silver coloured RAL 9006	635.64.906



> Load carrying capacity is dependent on the type of material, size and weight of the construction