

FOLDING BRACKETS FOR TABLES AND BENCHES

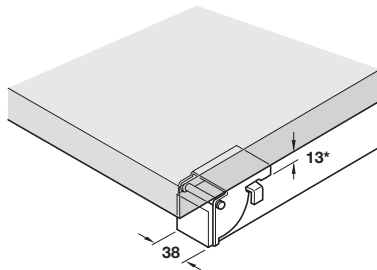
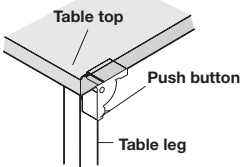


Folding bracket



- > For 38 x 38 mm legs
- > Locks in position, open and closed
- > Order qty: 1 pair

Functionality



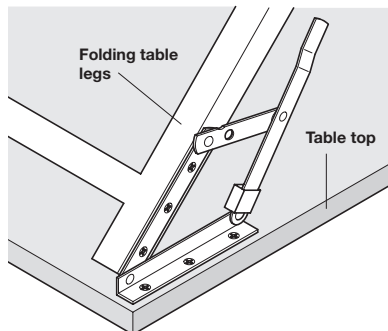
*13 = Installation height of folded fitting



Finish
Galvanized steel

Cat. No.
642.90.919

Folding bracket



Space saving installation by fitting to side of leg

- > Profile dimensions: 25 x 25 x 3 mm
- > Support arm length: 200 mm
- > Screw fixing at the side
- > Can be secured with safety sleeve
- > Steel
- > Order qty: 1 pair



Finish
Powder coated black

Cat. No.
642.81.300