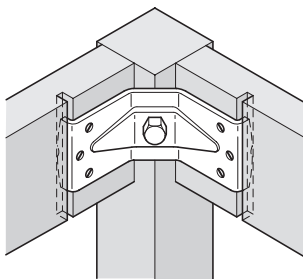
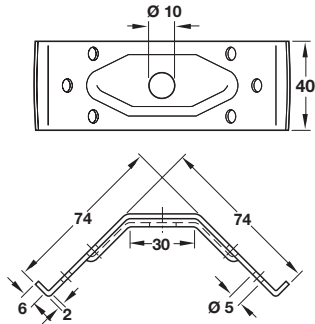


Corner brace



Leg screw fixed through
centre hole of corner brace

Table frame grooved
to accept corner brace

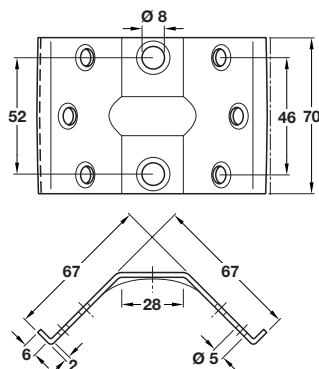
- > For attaching table legs to table frame
- > Tables designed to make use of corner braces can be stored, packed and transported in knock-down form
- > Steel
- > Order qty: 1 pc



Finish
Galvanized

Cat. No.
641.00.901

Corner brace



- > For attaching table legs to table frame
- > Tables designed to make use of corner braces can be stored, packed and transported in knock-down form
- > Steel
- > Order qty: 1 pc



Finish
Galvanized

Cat. No.
641.00.910