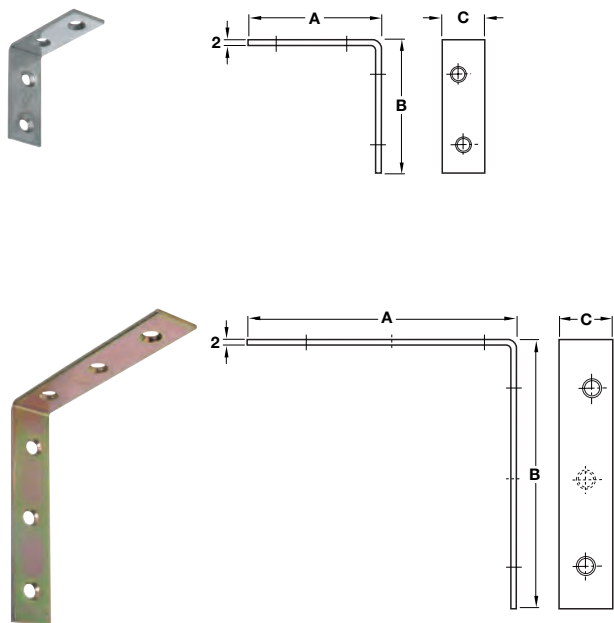


CHAIR BRACKETS AND TABLE TOP CONNECTOR

Chair bracket

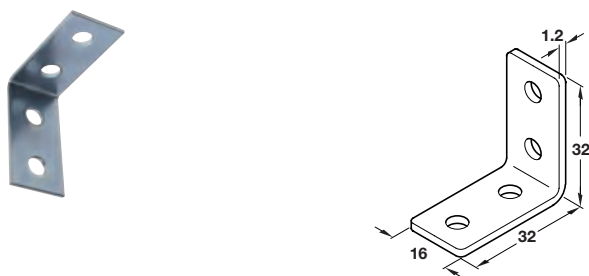


- > Steel
- > Order qty: Multiples of 50 pcs



Dim. A x B x C	Screw size	Yellow chromated	St. steel
With 4 fixing holes			
25 x 25 x 15 mm	3.0 mm	260.28.502	260.28.002
40 x 40 x 15 mm	3.0 mm	260.28.504	260.28.004
50 x 50 x 15 mm	3.0 mm	260.28.505	260.28.005
60 x 60 x 18 mm	3.5 mm	260.28.506	-
80 x 80 x 18 mm	3.5 mm	260.28.508	-
With 6 fixing holes			
100 x 100 x 20 mm	3.5 mm	260.28.510	-

Chair bracket

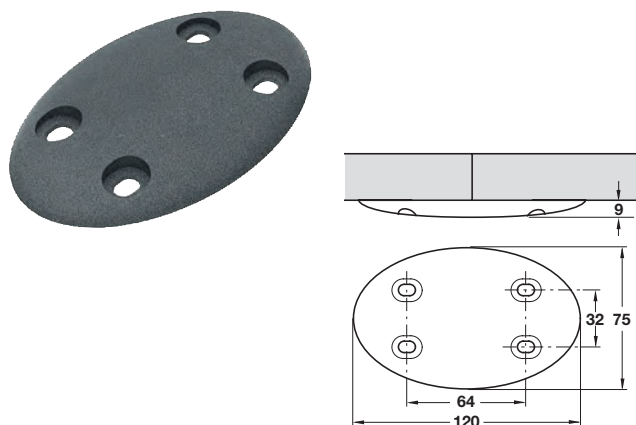


- > Mild steel
- > Order qty: Multiples of 100 pcs



Finish	Cat. No
Galvanized	260.28.972

Modular table top connecting fitting



- > Designed to prevent clothing damage or injury by sharp edges and fixing screw heads
- > Ø 7 mm screw holes
- > Powder coated zinc
- > Order qty: 1 pc



> Order panel mounting screws separately 013.10.149/283, shown on page 397

Finish	Cat. No.
Dark grey	642.43.300