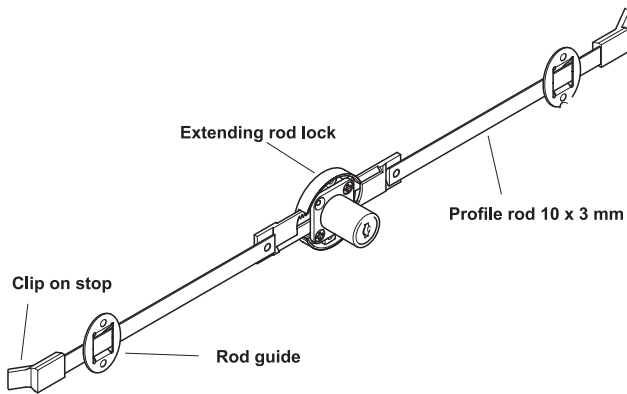
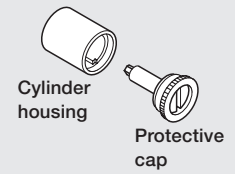


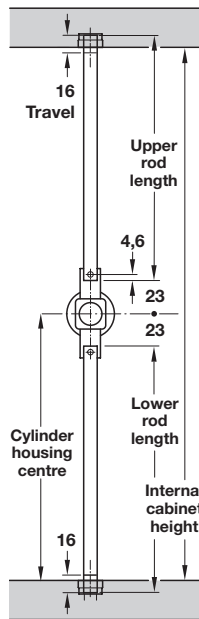
SYMO 3000 EXTENDING LOCK CASES



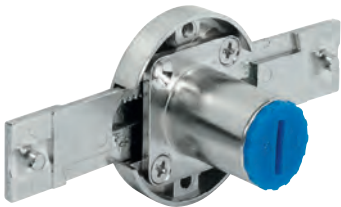
> The locks can be operated by turning the protective cap with a screwdriver or coin, before the cylinder cores are installed



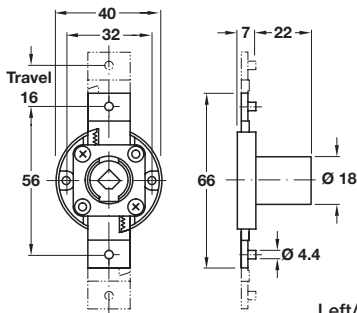
Example: Extending rod lock (drawer version) as horizontal lock



Symo 3000 extending rod lock case



Drawer version



Left/Right hand

- > For on-site installation of cylinder cores
- > Screw fixing
- > Nickel-plated zinc alloy
- > Order qty: 1 pc



Version	Cat. No.
Left hand version	237.76.620
Right hand version	237.76.610
Drawer version	237.76.600



> Order lock accessories separately, shown on page **191**



- > For all locks on this page order cylinder rosette separately, shown on page **249**
- > Lock handles for Symo 3000 lock cases are shown on page **192**
- > Cylinder cores for Symo 3000 lock cases are shown on pages **193-196**