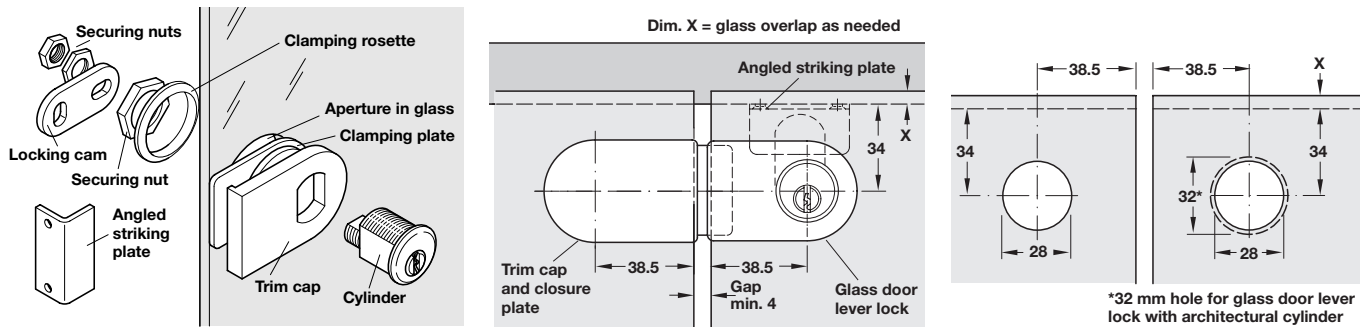
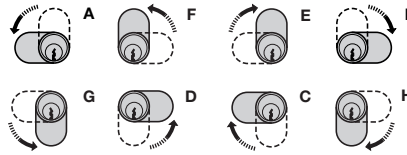
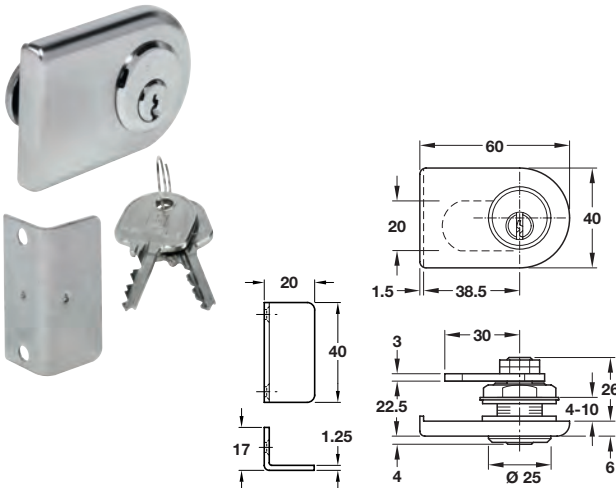


- > 90° Closure direction:
- > Closure directions can be altered by re-positioning the cam, but always moving in the same direction:
- Closure direction A can be altered to D, F or G
- Closure direction B can be altered to C, E or H



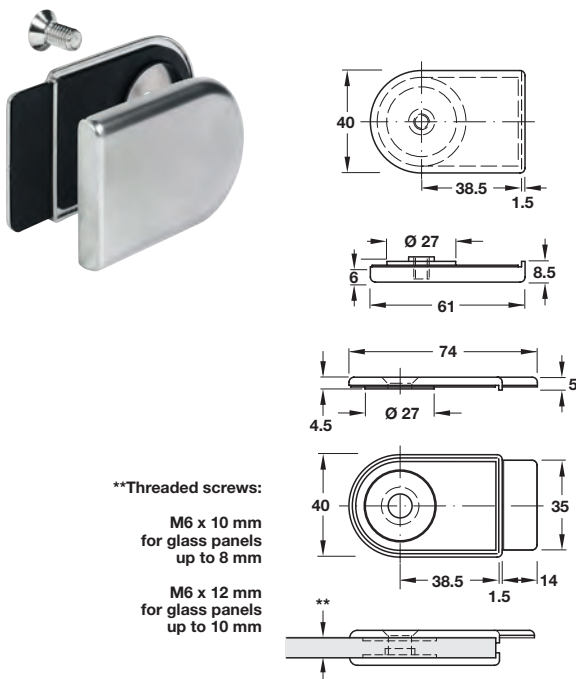
Glass door cylinder lever locks



- > With nut attachment
- > For glass panels from 4-10 mm
- > Closure travel 90°
- > With key trap; key can only be removed in locked position
- > 5 pairs of pin tumblers = 20,000 possible key changes
- > Matt nickel-plated zinc alloy trim cap
- > Matt nickel-plated brass cylinder
- > Accessories: 2x keys, 1x plastic clamping plate, 1x clamping rosette, 1x locking cam, 3x nuts, 1x angled steel striking plate
- > Order qty: 1 pc

Closure direction	90° A (D,F,G)	90° B (C,E,H)
Random key changes	233.30.609	233.30.654
Keyed alike: Key change H1	233.30.618	233.30.663

Trim cap and closure plates



- > For use on double doors, opposite the lock
- > For glass panels from 4-10 mm**
- > Use on left or right hand door
- > Nickel-plated zinc alloy
- > Accessories: 2x M6 threaded screws, 2x plastic clamping plates and 1x clamping element
- > Order qty: 1 pc

Finish	Cat. No.
Matt nickel-plated	233.39.602