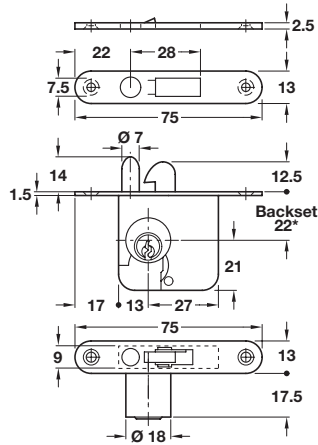


# DRAWER AND SHUTTER MORTICE LOCKS

## Roller shutter mortice lock case



- > For use with Ø 18 mm cylinder
- > Backset: 22 mm
- > For left or right hand/drawer use, with lever bolt
- > Bright steel lock case
- > Brass-plated steel forend and striking plate
- > Accessories: 1x striking plate
- > Order qty: 1 pc



> If converted to drawer use, the backset measurement is reduced by 2 mm with cylinder below

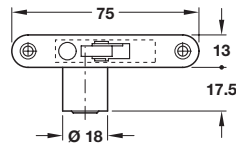


> Order cylinder shown below and cylinder rosette on page 249 separately



Version	Cat. No.
Left hand	230.37.256
Right hand/Drawer	230.37.201

## Cylinder, Ø 18 mm



- > For use with mortice lock case above
- > 5 plate levers = 200 possible key changes
- > Matt nickel-plated zinc alloy
- > Accessories: 2x keys
- > Order qty: 1 pc



Key type	Cat. No.
<b>Random key changes</b>	230.22.602
<b>Keyed alike: Key change FH1</b>	230.22.611

COMPONENTS, FIXINGS AND CONSUMABLES 2014, © Häfele U.K. Ltd 2014. Dimensional data not binding. We reserve the right to alter specifications without notice.