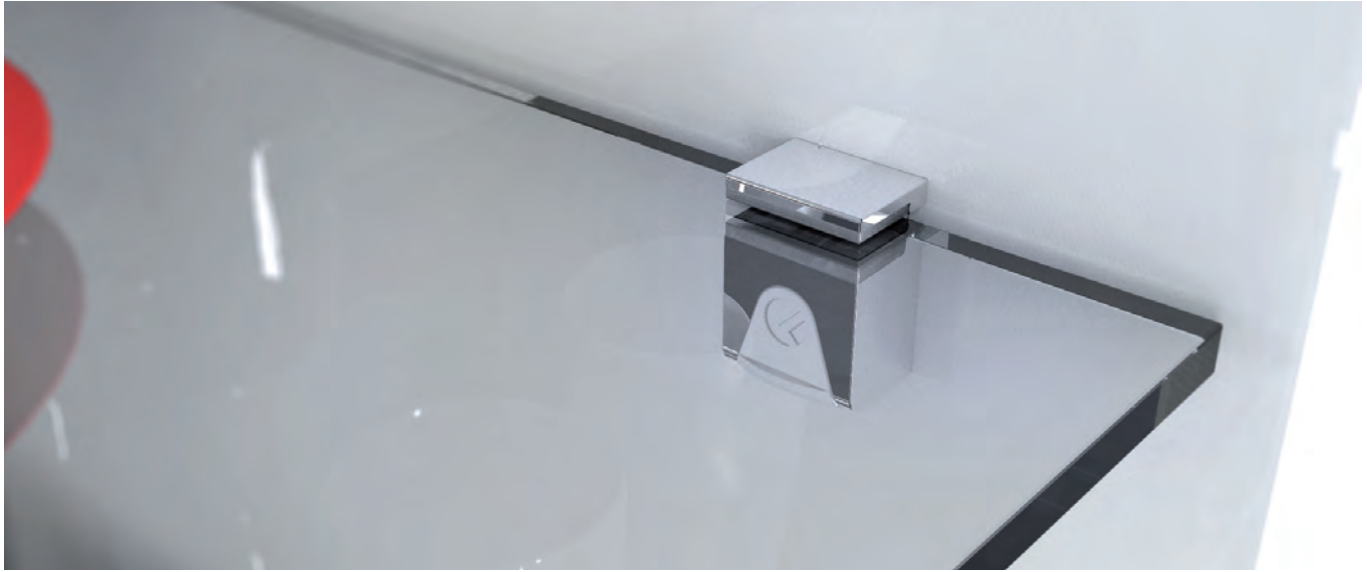
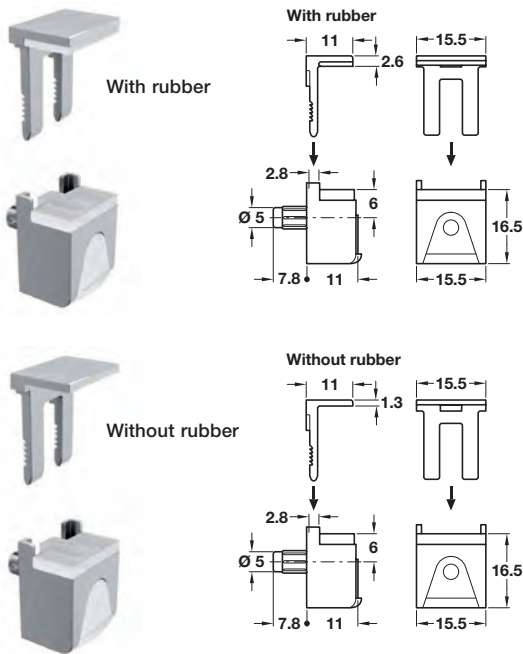


KUBIC SHELF SUPPORT FOR GLASS

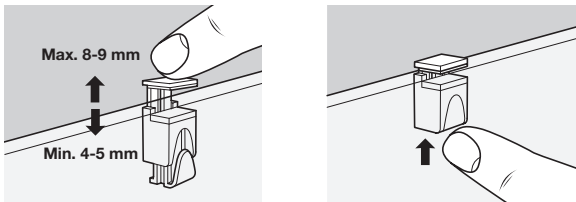
Designed for rigid furniture, the carcass can be moved safely even when upside down with the glass already installed.



Kubic clamp shelf support, plug-in, for glass shelves



- > Designed for rigid furniture, the carcass can be moved safely even when upside down with the glass already installed
- > Secures glass in position
- > For Ø 5 mm hole
- > For 4-8 mm glass thickness with rubber pad
- > For 5-9 mm glass thickness without rubber pad
- > Load carrying capacity 25 kg*
- > Nickel-plated zinc alloy, white plastic locking clip and soft clear plastic
- > Order qty: 1 pc



Pushing up the clip fixes the glass shelf in position. The shelf support prevents it from tipping as well as being unintentionally lifted and removed.

Also makes it easy to adjust the shelf position without removing the door; just pull the clip downwards and remove the top plate.

Item	For glass thickness	Cat. No.
With rubber	4-8 mm	284.04.641
Without rubber	5-9 mm	284.04.640



> *Load carrying capacity applies to 4 shelf supports bearing an evenly distributed load. Testing was carried out according to DIN EN 14749: 2005, clause 6.3.3 "Strength of shelf supports"