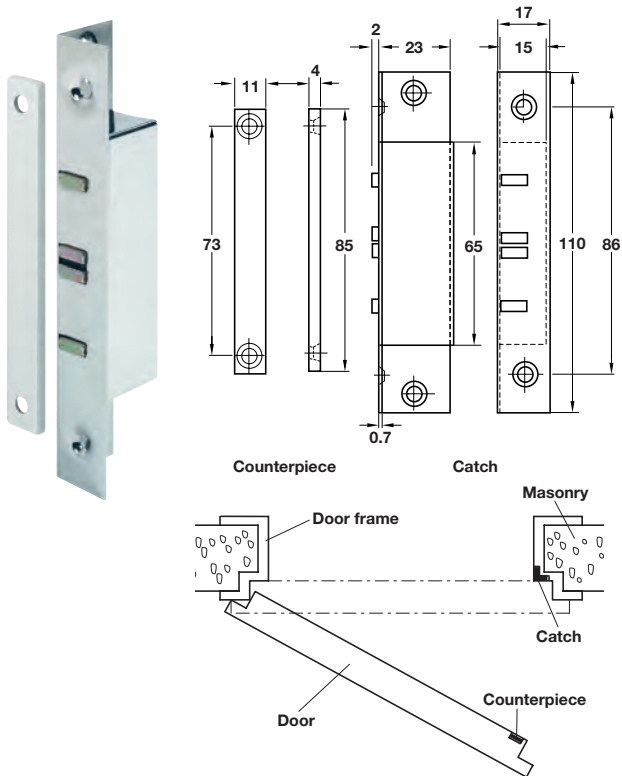


Magnetic catch

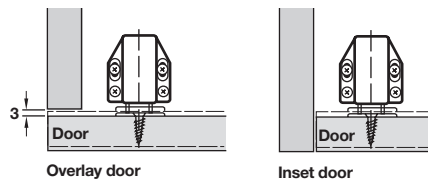
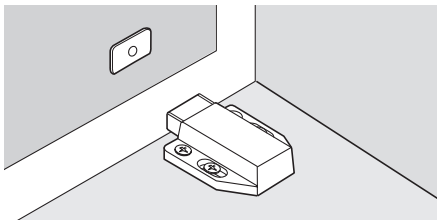


- > For rebated interior doors (instead of lock)
- > Catch: Floating, screw fixing
- > Counterpiece: Fixed, screw fixing
- > White galvanized steel catch and polished chrome-plated steel counterpiece
- > Order qty: 1 pc

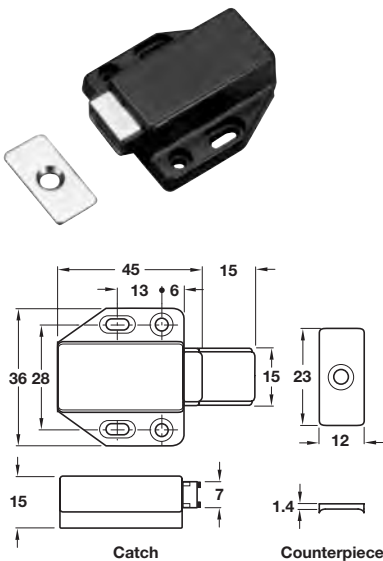


Pull (approx.)	7.5 kg
Cat. No.	246.75.607

MAGNETIC PRESSURE CATCHES



Magnetic pressure catch



- > With extra long throw
- > For overlay door, gives 3 mm gap between door and cabinet frame for pushing space
- > Catch: ABS plastic
- > Counterpiece: Yellow galvanized steel
- > Order qty: 1 pc



Pull (approx)	1.4 kg
White	245.61.730
Brown	245.61.330