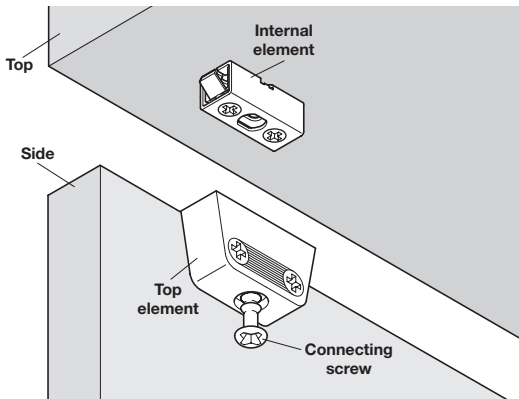
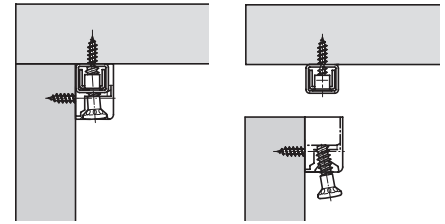
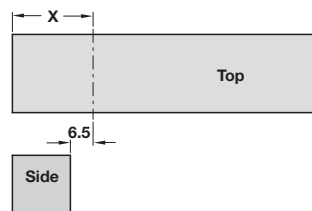


SCREW FIXING RV CLIP CABINET CONNECTORS



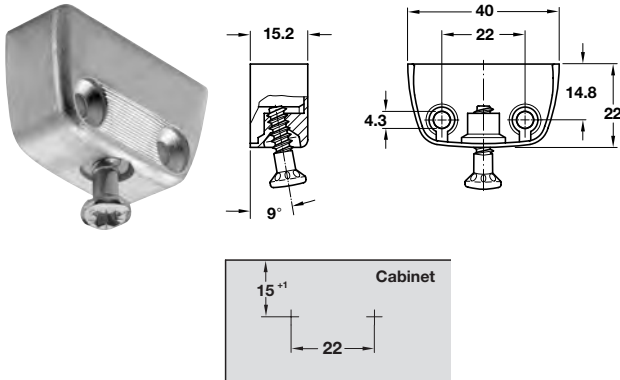
- > Screw fixing clip cabinet connector RV with tolerance compensation
- > Fastens panels together by push fitting the two elements together
- > Final adjustment with pre-mounted screw, tightened at 9° with a screwdriver - size PZ 2 cordless drill/driver with bit or cross slot blade screwdriver

$X = \text{Thickness of wood} + 6.5 \text{ mm}$



> Hospa screws are shown on pages **388-393, 402**

Clip cabinet connector, top element



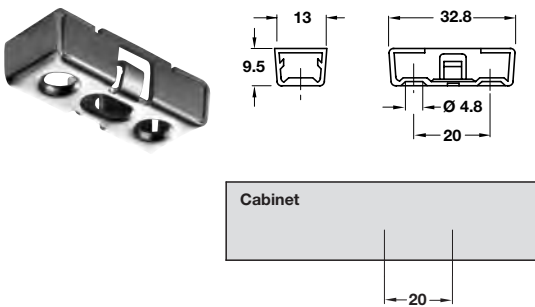
- > Top element RV/O with pre-mounted connecting screw
- > Zinc alloy with steel connecting screw
- > Order qty: Multiples of 50*/100 pcs



Finish	Cat. No.
Chromatized	262.72.901
Nickel-plated	262.72.701*
Black	262.72.301*

> Order internal element separately **262.72.953**

Clip cabinet connector, internal element



- > Internal element RV/U-T3
- > For use with top element
- > With tolerance compensation $\pm 1.5 \text{ mm}$
- > Steel
- > Order qty: Multiples of 100 pcs



Finish	Cat. No.
Galvanized	262.72.953

COMPONENTS, FIXINGS AND CONSUMABLES 2014, © Häfele U.K. Ltd 2014. Dimensional data not binding. We reserve the right to alter specifications without notice.