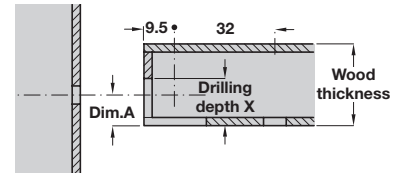
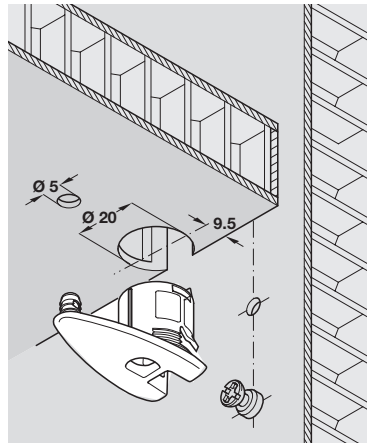


# IXCONNECT RAFIX 20 HC CONNECTORS



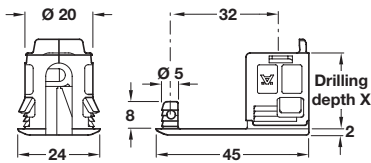
- > For lightweight panels with a top layer (chipboard or MDF) of 4 mm and above
- > Suitable for lightweight panels without frame
- > Order Rafx 20 HC housing and M20 connecting bolt separately



## Rafx 20 HC connector housing



- > For wood thickness from 32 mm
- > Drive: PZ2 cross slot
- > Plastic boss insert with zinc alloy tightening element
- > Order qty: Multiples of 100 pcs



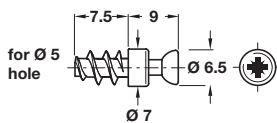
- > Order Rafx M20 connecting bolt 263.20.131 separately

For wood thickness from	Dim. A	Drilling depth X	Brown	Black	Nickel colour lacquered
32 mm	16 mm	22.5 mm	263.18.102	263.18.302	263.18.602

## Rafx M20 connecting bolt



- > For direct installation in Ø 5 mm holes
- > With special thread
- > Zinc alloy
- > Order qty: Multiples of 100 pcs



Finish	Cat. No.
Bright	263.20.131

COMPONENTS, FIXINGS AND CONSUMABLES 2014, © Häfele U.K. Ltd 2014. Dimensional data not binding. We reserve the right to alter specifications without notice.