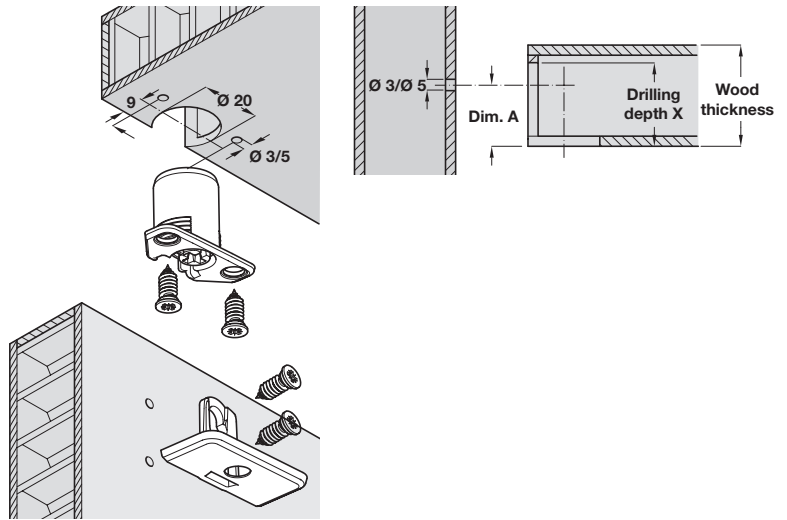


IXCONNECT TAB 20 HC CONNECTORS

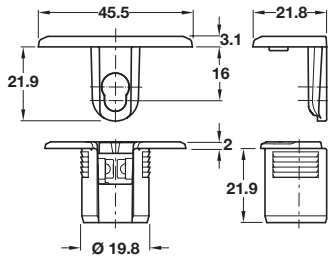
- > For lightweight panels with a top layer (chipboard or MDF) of 4 mm and above
- > Suitable for lightweight panels without frame
- > Order Tab 20 HC housing and Varianta special screw separately



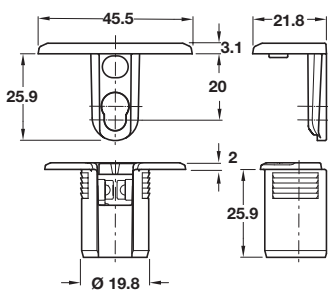
Tab 20 HC connector housing



For wood thickness 32-50 mm



For wood thickness 40-60 mm



- > For wood thickness from 32-50 mm or 40-60 mm
- > Drive: PZ2, PH2 or flat blade
- > Plastic boss insert, natural finish, with zinc alloy support and tightening element
- > Order qty: Multiples of 100 pcs



> Order Varianta special screws separately, shown on page **334**

For wood thickness from	Dim. A	Drilling depth X	Black	Nickel-plated
32-50 mm	16 mm	22.0 mm	-	263.95.732
40-60 mm	20 mm	26.5 mm	263.95.335	263.95.735