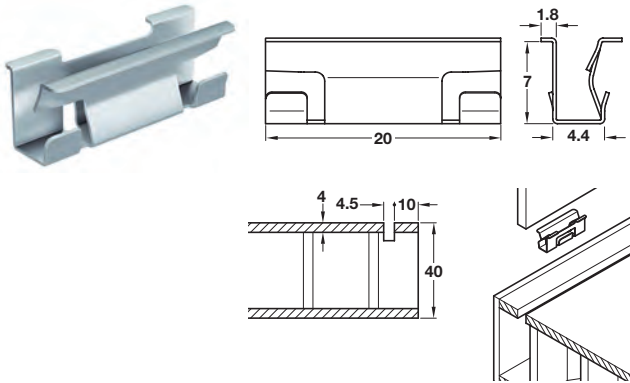


IXCONNECT HC ACCESSORIES

ixconnect

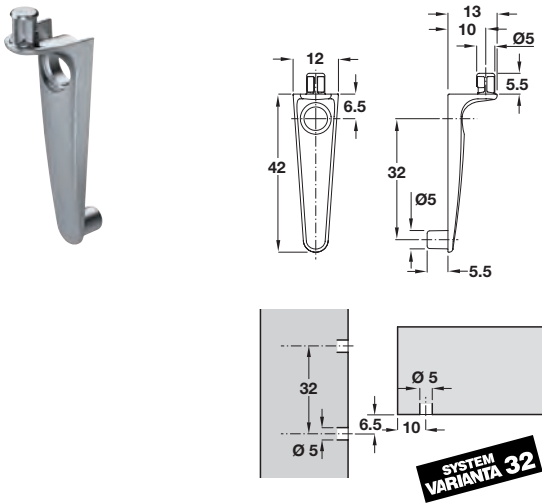
Rear panel fitting



- > For fixing 2.8-3.8 mm thick rear lightweight panels without frame
- > Clips beneath the 4 mm top layer and therefore prevents the rear panel from sagging into the core of the lightweight panel
- > Groove mounted, without tools
- > Steel
- > Order qty: Multiples of 100 pcs

Finish	Cat. No.
Galvanized	260.06.900

HC Shelf support with visible screws

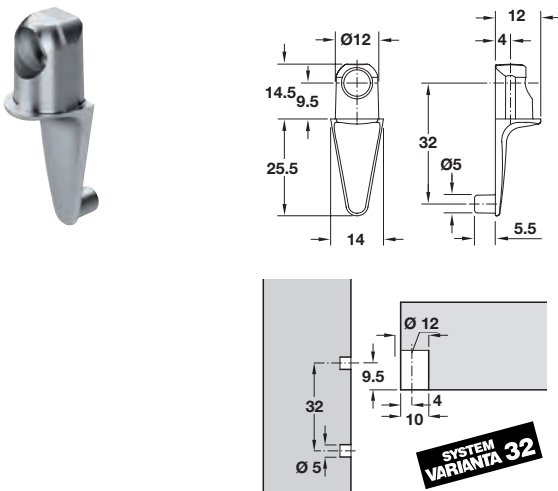


- > For shelves made from lightweight panels with or without frame, or from solid wood
- > For plug fitting and Varianta screw fixing in 32 mm series drilled holes
- > Zinc alloy
- > Order qty: Multiples of 100 pcs



Finish	Cat. No.
Nickel-plated	282.54.701

HC Shelf supports with concealed screws



- > For shelves made from lightweight panels with or without frame, or from solid wood
- > For plug fitting and Varianta screw fixing in 32 mm series drilled holes
- > Zinc alloy
- > Order qty: Multiples of 100 pcs



Finish	Cat. No.
Nickel-plated	282.54.761



> Rafx 20 HC and Tab 20 HC connectrs are shown on pages **336-338**
 > Varianta screws are shown on pages **400-401, 403**