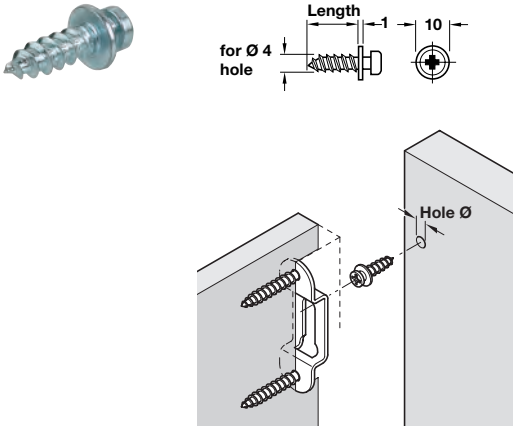


MOD-EEZ® MODULAR KNOCK DOWN FITTINGS



- > Retaining screws for Mod-eez® Modular plates
- > For single and double sided constructions
- > For installation in wood and metal
- > Installed in drill holes

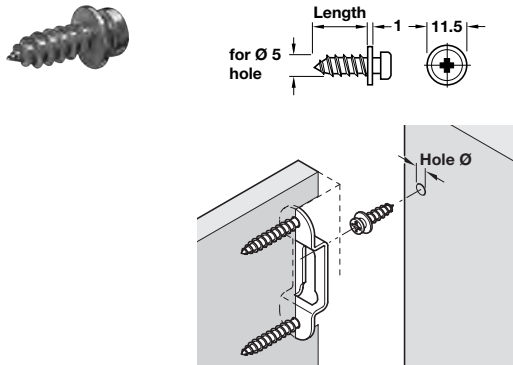
Modular screw, single-sided installation in wood



- > Collared
- > For use with 11-13 mm wide Modular plates
- > With wood screw thread for installation in Ø 4 mm hole
- > Galvanized steel
- > Order qty: Multiples of 100 pcs

Length	Cat. No.
12.5 mm	262.47.978
16.0 mm	262.47.987
25.0 mm	262.47.996
32.0 mm	262.47.870

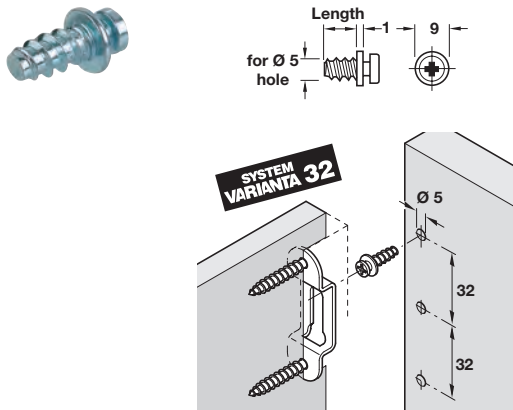
Modular screw, single-sided installation in wood



- > Collared
- > For use with 16 mm wide Modular plates
- > With wood screw thread for installation in Ø 5 mm hole
- > Galvanized steel
- > Order qty: Multiples of 100 pcs

Length	Cat. No.
16.0 mm	262.47.889
32.0 mm	262.47.898

Modular screw, single-sided installation in wood



- > Collared
- > For use with 10-13 mm wide Modular plates
- > With special thread for installation in Ø 5 mm series-drilled holes
- > Galvanized steel
- > Order qty: Multiples of 100 pcs

Length	Cat. No.
11.5 mm	262.47.807

COMPONENTS, FIXINGS AND CONSUMABLES 2014, © Hafele U.K. Ltd 2014. Dimensional data not binding. We reserve the right to alter specifications without notice.