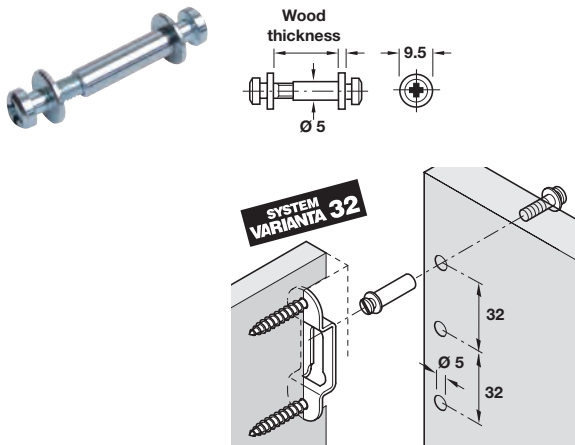




> Mod-eez® Modular plates are shown on page 351

Modular screw, for double-sided installation in wood

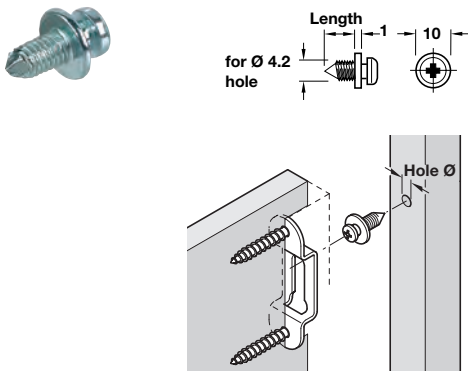


- > Collared
- > For use with 10-13 mm wide Modular plates
- > With M4 thread, for insertion through Ø 5 mm series-drilled holes
- > Galvanized steel
- > Order qty: Multiples of 100 pcs

For wood thickness
18-21 mm

Cat. No.
262.47.952

Modular screw, for installation in metal

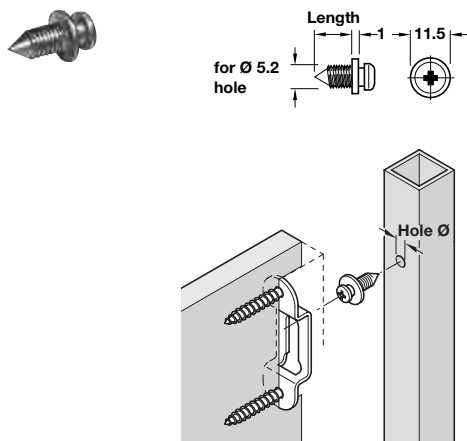


- > Collared
- > For use with 11-13 mm wide Modular plates
- > With self-tapping thread for installation in Ø 4.2 mm hole
- > Galvanized steel
- > Order qty: Multiples of 100 pcs

Length
9.5 mm

Cat. No.
262.47.969

Modular screw, for installation in metal



- > Collared
- > For use with 16 mm wide Modular plates
- > With self-tapping thread for installation in Ø 5.2 mm hole
- > Galvanized steel
- > Order qty: Multiples of 100 pcs

Length
11.0 mm

Cat. No.
262.47.861