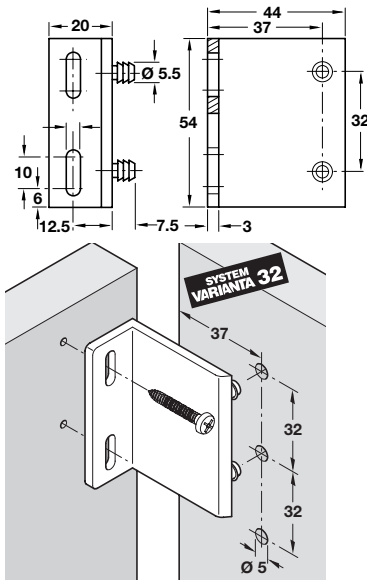


# REAR PANEL BRACKETS

ixconnect

## Rear panel bracket with lugs

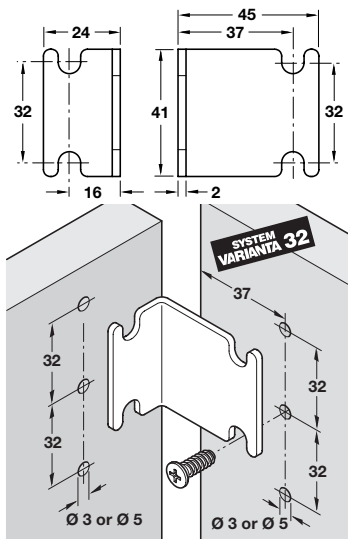


- > For installation in system Varianta 32 Ø 5 mm series-drilled holes
- > Lugs are knocked into the cabinet, the rear panel is then secured by screws through the bracket slots, allowing it to be adjusted and re-adjusted as necessary
- > Plastic
- > Order qty: Multiples of 50 pcs



Finish	Cat. No.
White	260.12.706

## Rear panel bracket

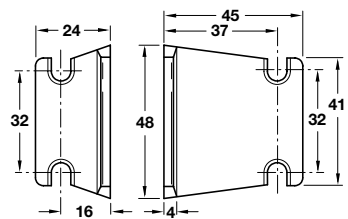


- > For installation in system Varianta 32 Ø 3 or Ø 5 mm series-drilled holes
- > Steel
- > Order qty: Multiples of 50 pcs



Finish	Cat. No.
Nickel-plated	264.24.706

## Rear panel bracket



- > For installation in system Varianta 32 Ø 3 or Ø 5 mm series-drilled holes
- > Zinc alloy
- > Order qty: Multiples of 50 pcs



Finish	Cat. No.
Nickel-plated	264.24.751



- > Hospa screws are shown on pages 388-393, 402
- > Varianta screws are shown on pages 400-401, 403