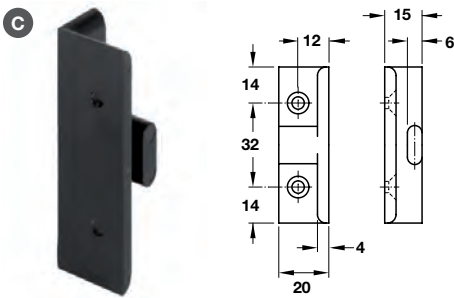


Angled component AD 15

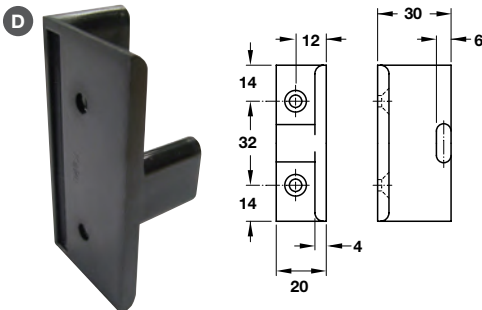


- > Screw fixing with Hospa or Varianta screws
- > For 15 mm cavity between panels
- > Max load capacity of pair of fittings is 20 kg
- > Black Makrolon
- > Order qty: Multiples of 50 pcs



Mounting with	Cat. No.
Hospa screws	262.51.380
Varianta screws	262.51.381

Angled component AD 30



- > Screw fixing with Hospa screws
- > For 30 mm cavity between panels
- > Max load capacity of pair of fittings is 20 kg
- > Black Makrolon
- > Order qty: Multiples of 50 pcs



Mounting with	Cat. No.
Hospa screws	262.51.390

AD Double partition fastener set



- > Consists of:
 - 1x Panel component with lip A
 - 1x Angled component C
- > For mounting with Hospa screws
- > Order qty: 1 set



Components	Cat. No.
A 262.49.356 + C 262.51.380	262.51.310