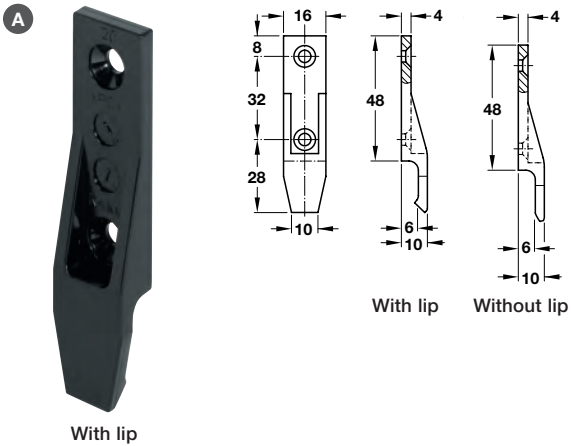


Panel component



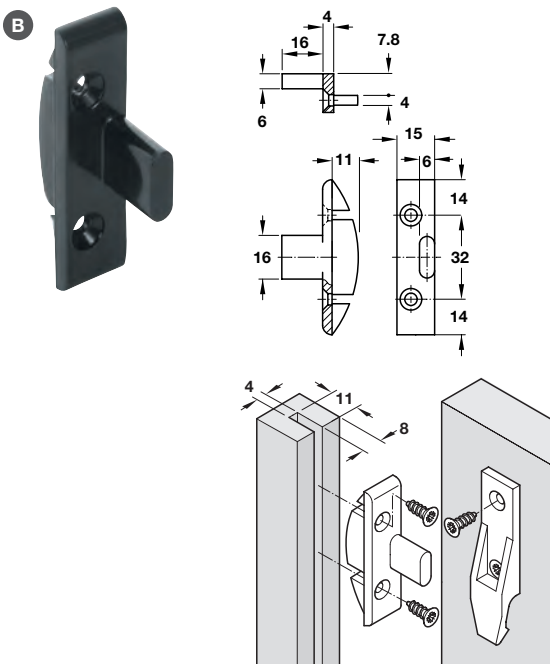
- > Screw fixing with Hospa or Varianta screws
- > Max load capacity of pair of fittings is 20 kg
- > Panel components without lip are for panels that may need to be removed often
- > Black Makrolon
- > Order qty: Multiples of 50 pcs



Mounting with	With lip	Without lip
Hospa screws	262.49.356	262.49.350
Varianta screws	262.49.357	262.49.351

> Frame component B, C or D must be ordered separately, shown below and on page 367

Frame component EH



- > Groove mounted
- > Screw fixing with Hospa screws
- > Max load capacity of pair of fittings:
 - For vertical suspension is 20 kg
 - For horizontal suspension, lying, is 30 kg
 - For horizontal suspension, hanging is 8 kg
- > Black Makrolon
- > Order qty: Multiples of 50 pcs



Mounting with	Cat. No.
Hospa screws	262.49.360

> Hospa screws are shown on pages 388-393, 402
 > Varianta screws are shown on pages 400-401, 403