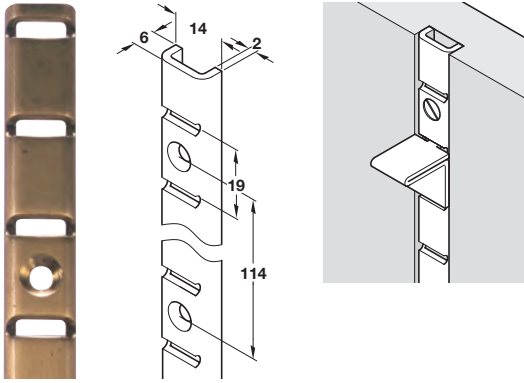


'U' section bookcase strip



- > Heavy duty-superior strength
- > 2 mm material thickness
- > Choice of surface fix, full or part rebate
- > Narrow 14 mm section
- > Steel
- > Order qty: 1 pc (1 pc = 1829 mm)

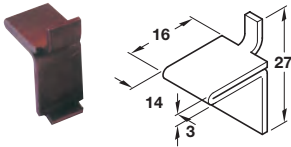


Finish	Cat. No.
Electro-brassed	283.00.530
Bright zinc-plated	283.00.930
Satin nickel	283.00.630
Mid brown powder coated*	283.00.130



> *Dark bronze studs will not match the mid brown strip colour exactly

Shelf support stud, double



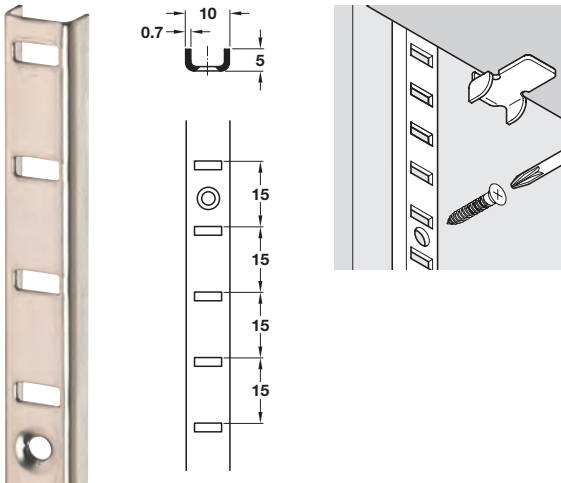
- > For use with 'U' section bookcase strip shown above
- > Steel
- > Order qty: Multiples of 20 pcs

Finish	Cat. No.
Electro-brassed	283.01.540
Bright zinc-plated	283.01.940
Satin nickel	283.01.640
Dark bronze*	283.01.140



> *Dark bronze studs will not match the mid brown strip colour exactly

Shelf support strip

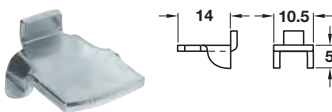


- > Recess or surface mounted
- > For shelf support 283.51.920 shown below
- > Steel
- > Order qty: 1 pc (1 pc = 3.5 metres)



Finish	Cat. No.
Nickel-plated	283.05.018

Shelf support



- > For use with shelf support strip 283.05.018 shown above
- > Steel
- > Order qty: Multiples of 100 pcs

Finish	Cat. No.
Galvanized	283.51.920