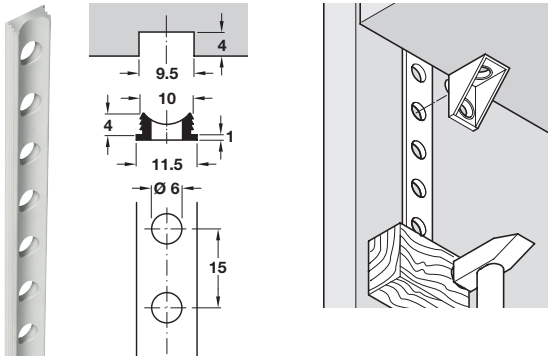


Shelf support strip



- > Knocks into groove
- > Mounting apertures at 15 mm intervals
- > Choice of shelf supports 283.49.706/283.47.702 shown below
- > Plastic
- > Order qty: 1 pc (1 pc = 2.5 metres)

Finish	Cat. No.
White	283.45.702

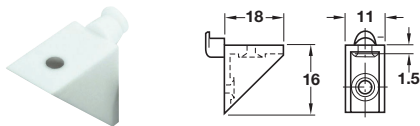
Shelf support



- > For use with shelf support strip 283.45.702 shown above
- > Plastic
- > Order qty: Multiples of 100 pcs

Finish	Cat. No.
White	283.49.706

Shelf support

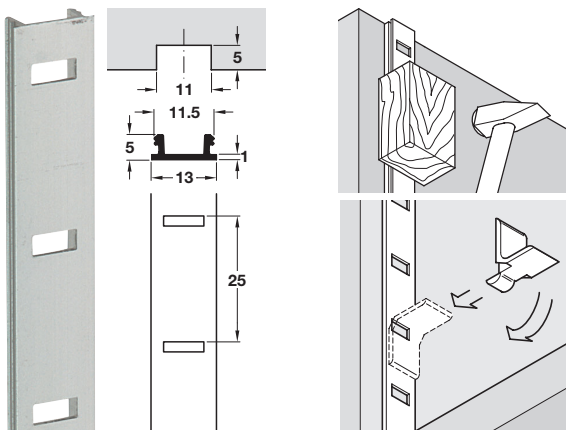


- > For use with shelf support strip 283.45.702 shown above
- > Plastic
- > Order qty: Multiples of 100 pcs



Finish	Cat. No.
White	283.47.702

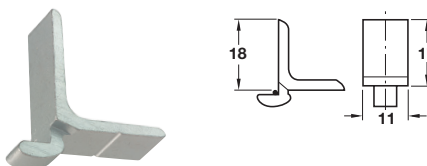
Shelf support strip



- > Knocks into groove
- > Mounting apertures at 25 mm intervals
- > Aluminium
- > Order qty: 1 pc (1 pc = 3.5 metres)

Finish	Cat. No.
Bright	283.12.013
Gold coloured anodised	283.12.803
Silver coloured anodised	283.12.903

Shelf support



- > For use with shelf support strip 283.12.013/803/903 above
- > Aluminium
- > Order qty: Multiples of 100 pcs

Finish	Cat. No.
Bright	283.68.005
Gold coloured anodised	283.68.809
Silver coloured anodised	283.68.907



- > The load capacity of the shelf support is dependent on:
 - Shelf material
 - Shelf depth