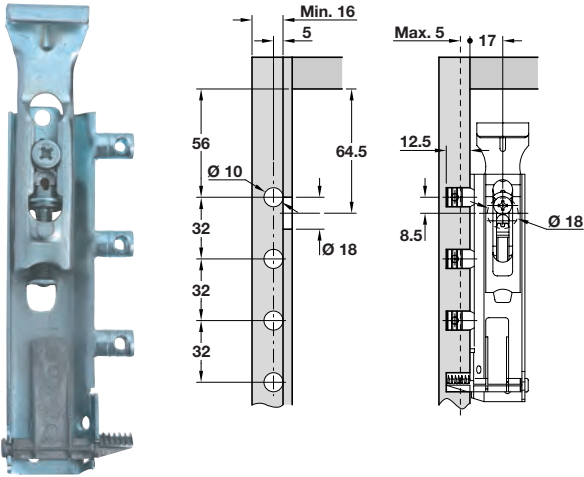


Concealed cabinet hanger, rapid fitting



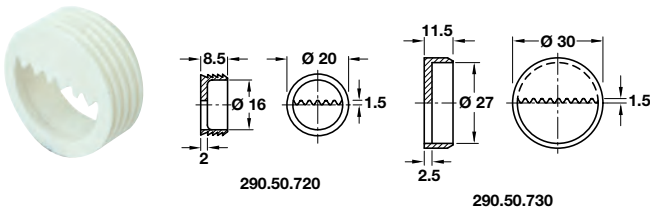
- > Dowel fixing
- > Handed
- > Vertical adjustment: 18 mm
- > Horizontal adjustment: 16 mm
- > Load carrying capacity 65 kg
- > Zinc-plated steel
- > Order qty: 1 pc



> Wall plate Cat. No. 290.08.920/921 or rail Cat. No. 290.10.900 must be ordered separately, shown on page 74

Handed	Cat. No.
Left	290.21.901
Right	290.21.900

Suspension fitting, for use with screw hook



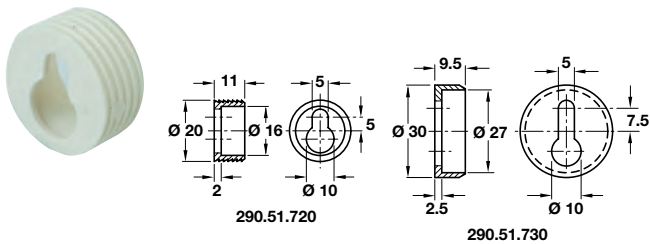
- > Half-circle aperture with serrated edge
- > Recess mounted
- > White plastic
- > Order qty: Multiples of 100 pcs



> Screw hook must be ordered separately, shown below

Internal Ø	Ø 16 mm	Ø 27 mm
Cat. No.	290.50.720	290.50.730

Suspension fitting, for use with screw hook



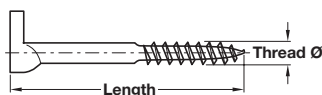
- > With keyhole slot
- > Recess mounted
- > White plastic
- > Order qty: Multiples of 100 pcs



> Screw hook must be ordered separately, shown below

Internal Ø	Ø 16 mm	Ø 27 mm
Cat. No.	290.51.720	290.51.730

Screw hook



- > With cross slot. For machine assembly
- > Galvanized steel
- > Use wall plugs for 100 mm length screw hooks
- > Order qty: 1 pc

Hook length	Thread Ø	Cat. No.
50 mm	5.2 mm	057.05.905
65 mm	5.8 mm	057.05.906
80 mm	5.8 mm	057.05.908
100 mm	5.8 mm	057.05.910