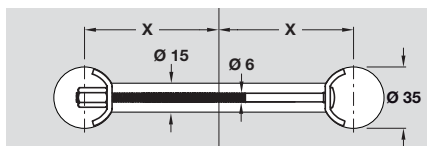


Worktop connecting bolt

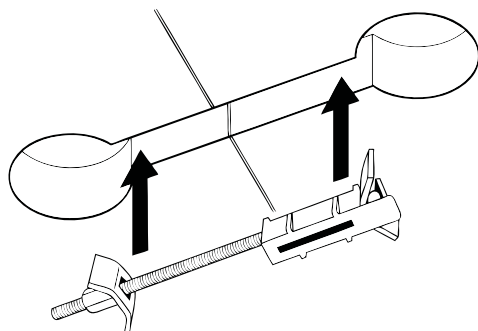


Order EasiBolt holder shown below separately; aids installation - both hands are left free for tightening the worktop connecting bolt

- > Eliminate the need for surface mounted worktop joining strips
- > The nut is tightened onto the bolt pressing the caps against the walls of the 35 mm diameter holes and pulling the two worktop panels together
- > Set consists of:
 - 1x Bolt for 150 mm installation
 - 2x Curved caps
 - 1x Tightening nut
- > Galvanized steel
- > Order qty: 1 pc

Bolt length	Dim. X	Cat. No.
150 mm	75-84 mm	262.96.803

EasiBolt holder, for worktop connecting bolt installation

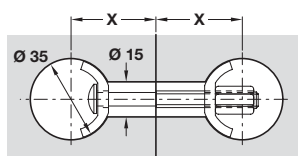


For use with 150 mm worktop connecting bolts 262.96.803 and 262.96.220

- > Holds a 150 mm worktop connecting bolt in place while the worktop is set in position prior to the bolt being tightened
- > Dims: 55 x 18 x 16 mm
- > By using EasiBolt both hands are left free for tightening
- > Installation:
 - Position the bolt in place in the cut outs on the underside of the kitchen worktop
 - Place the EasiBolt over one end of the bolt
 - Set worktop to correct level and tighten bolt
 - The EasiBolt holder will allow the bolt to be fully tightened, there is no need to remove EasiBolt after the job is complete
- > Black plastic
- > Order qty: 1 pc

	Cat. No.
EasiBolt holder	262.96.000

Worktop connecting bolt



- > Eliminate the need for surface mounted worktop joining strips
- > The nut is tightened onto the bolt pressing the caps against the walls of the 35 mm diameter holes and pulling the two worktop panels together
- > Set consists of:
 - 1x Bolt for 65 mm installation
 - 2x Curved caps
 - 1x Tightening nut
- > Galvanized steel
- > Order qty: 1 pc

Bolt length	Dim. X	Cat. No.
65 mm	32-41 mm	262.96.798