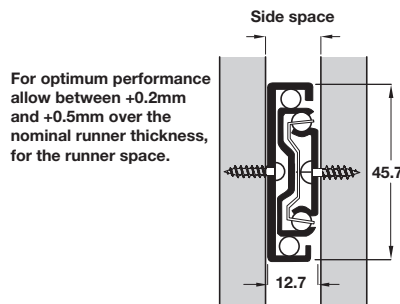
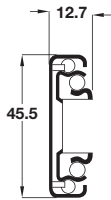


BALL BEARING DRAWER RUNNERS

Drawer runners, full extension

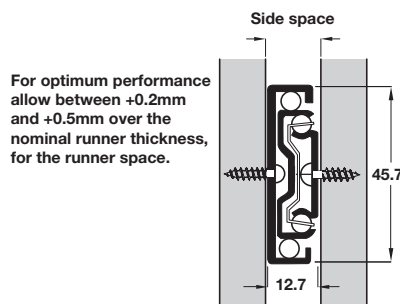
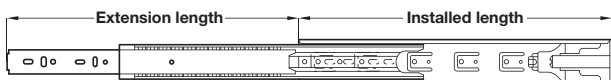
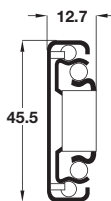


- > Load carrying capacity up to 45 kg (see below for individual capacities)
- > 100% extension
- > Side mounted
- > Hold-in feature holds the drawer in
- > Front disconnect (by pressing lever) for drawer removal
- > Zinc-plated steel
- > Order fixing screws separately
- > Order qty: Multiples of 30 pairs



Inst./Ext. length	Load capacity	Cat. No.
250 mm	41 kg	432.44.925
300 mm	42 kg	432.44.930
350 mm	43 kg	432.44.935
400 mm	44 kg	432.44.940
450 mm	45 kg	432.44.945
500 mm	45 kg	432.44.950
550 mm	45 kg	432.44.955
600 mm	45 kg	432.44.960
650 mm	44 kg	432.44.965
700 mm	43 kg	432.44.970

Soft close drawer runners, full extension with disconnect



- > Load carrying capacity up to 35 kg (see below for individual capacities)
- > Side mounted
- > Hold-in feature holds the closed drawer in
- > Front disconnected by pressing lever for drawer removal
- > Zinc-plated steel
- > Order fixing screws separately
- > Order qty: 1 pair



(All dimensions in mm)

Installed length	Extension length	Load capacity	Cat. No.
300	260	32 kg	432.44.730
350	300	33 kg	432.44.735
400	400	34 kg	432.44.740
450	450	35 kg	432.44.745
500	500	35 kg	432.44.750
550	550	35 kg	432.44.755
600	600	35 kg	432.44.760



*Load ratings vary according to runner length. Please contact us for further information if required