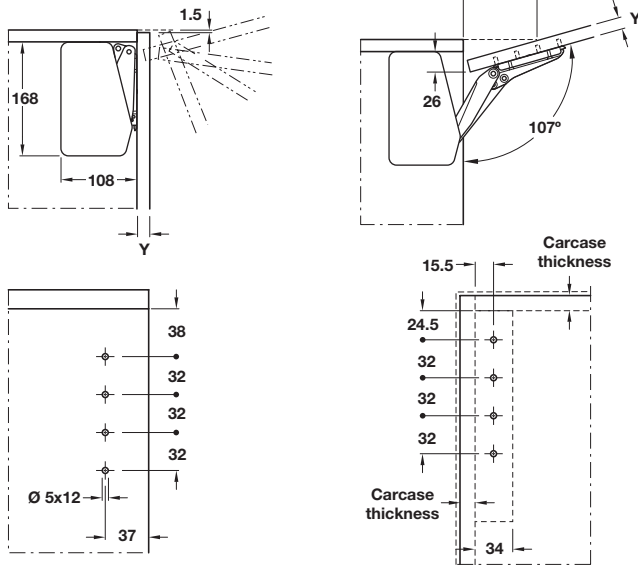


**Free flap 1.7 complete set**



**Installation**



Front panel thickness Y mm				
16 mm	19 mm	22 mm	26 mm	28 mm
Distance X mm (with top panel thickness 16 mm)				
83 mm	74 mm	64 mm	52 mm	46 mm

- > For small, one-piece flaps made of wood or with aluminium frame
- > 107° opening angle (can be reduced to 90° using opening angle restraint, shown below)
- > Fitting for screw fixing, flap clips onto pre-mounted screw on brackets
- > Flap locks into any position
- > Integrated soft close
- > Set includes:
  - 2x Stay flap fittings
  - 2x Cover caps for fitting
  - 2x Screw-on brackets for wooden flaps or flaps with aluminium frame, from frame width 45 mm
  - 1x Paper drilling template
  - Installation instructions
- > Height, side and tilting angle adjustment of front ±1.5 mm holding power
- > Nickel-plated steel flap fitting, plastic cover caps
- > Order fixing screws separately
- > Order qty: 1 set

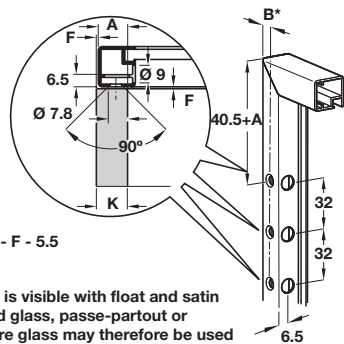
Sample measurements table for max. flap weight

Model	A	B	C
Flap height	Flap weight kg		
250 mm	1.3-3.8	2.9-6.4	5.4-11.8
275 mm	1.2-3.3	2.5-5.7	4.8-10.6
300 mm	1.1-3.1	2.4-5.1	4.4-9.6
325 mm	1.0-2.8	2.1-4.6	4.0-8.8
350 mm	0.9-2.6	2.0-4.2	3.7-8.1
375 mm	0.9-2.3	1.9-3.8	3.5-7.5
400 mm	0.8-2.1	1.7-3.6	3.2-7.0



Model	Grey RAL 7035	White RAL 9003
<b>A</b>	372.91.320	372.91.720
<b>B</b>	372.91.321	372.91.721
<b>C</b>	372.91.322	372.91.722

**Adapter**



**Note:**  
Fitting is visible with float and satin frosted glass, passe-partout or obscure glass may therefore be used

- > For flaps with 20 mm aluminium frame
- > For left or right hand use
- > M4 x 10 mm fixings included
- > Zinc alloy
- > Order qty: 1 set

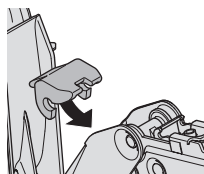


For full installation details, see page **250** for details



Finish	Cat. No.
Nickel-plated	372.91.599

**Opening angle restraint**



- > For limiting opening angle of 107° to 90°
- > Order qty: 1 set

Finish	Cat. No.
Black	372.91.499