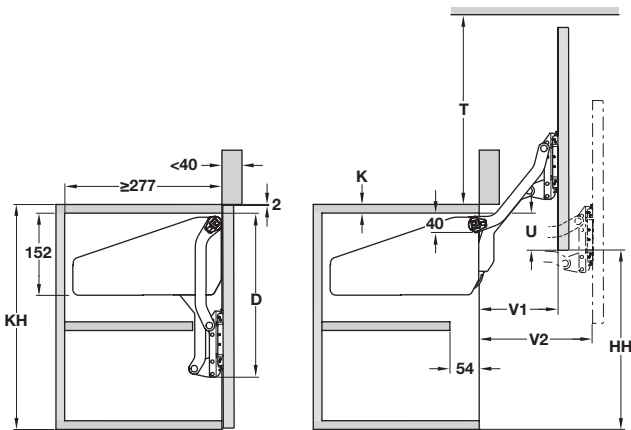


Free Up parallel lift up front fitting



NEW

- > For one-piece flaps made from wood, glass or with aluminium frame
- > Integrated soft close
- > Set includes:
 - 1x Parallel lift up front fitting
 - 2x Cover caps
 - 2x Clip-on brackets for wooded flaps or flaps with wide aluminium frame
 - Installation instructions
- > Height and side adjustment ± 1.5 mm, tilting angle $\pm 1.5^\circ$, holding power and opening angle adjustment facility
- > Requires 1x cross rail, see below
- > Fitting: nickel-pleated steel, cover cap: grey or white plastic
- > Order qty: 1 set



Installation dimensions (mm)

KH	D	U	HH	T	V1	V2
320-360	274.5	KH - HH - K	278	>281	128	177
345-420	302.5	KH - HH - K	328	>333	146	205
380-500	337.5	KH - HH - K	390	>393	168	240
430-600	382.5	KH - HH - K	470	>473	196	284

Flap weight	Grey	White
Cabinet height 320-360 mm, min. flap height 280 mm		
3.0-5.7 kg	372.33.500	372.33.700
4.8-9.3 kg	372.33.501	372.33.701
8.7-16.5 kg	372.33.502	372.33.702
Cabinet height 345-420 mm, min. flap height 308 mm		
2.4-4.8 kg	372.33.510	372.33.710
4.1-8.0 kg	372.33.511	372.33.711
7.4-14.0 kg	372.33.512	372.33.712
11.0-19.6 kg	372.33.513	372.33.713
Cabinet height 380-500 mm, min. flap height 343 mm		
2.0-3.8 kg	372.33.520	372.33.720
3.4-6.7 kg	372.33.521	372.33.721
6.3-11.8 kg	372.33.522	372.33.722
9.3-17.4 kg	372.33.523	372.33.723
Cabinet height 430-600 mm, min. flap height 388 mm		
1.6-3.3 kg	372.33.530	372.33.730
2.6-5.5 kg	372.33.531	372.33.731
5.0-9.7 kg	372.33.532	372.33.732
7.4-14.6 kg	372.33.533	372.33.733

YOU ALSO NEED:

CROSS RAIL
shown below

ALTERNATIVE MOUNTING BRACKETS
Page 250

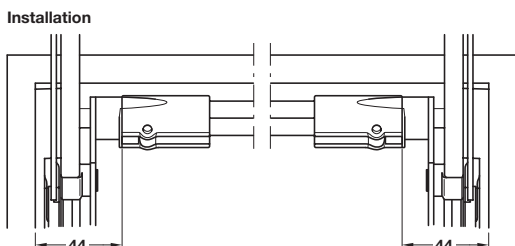
OPTIONAL ACCESSORIES
Page 250-251

Cross rail



NEW

- > For use with all Free family flap fittings
- > For connecting both fitting components
- > Side panel thickness W: 16/19 mm
- > Silver coloured anodised aluminium
- > Order qty: 1 pc



Cutting dimension = internal cabinet width - 88 mm

Cabinet width	Length	Cat. No.
600 mm	474 mm	372.33.692
900 mm	774 mm	372.33.694
1200 mm	1074 mm	372.33.696
1800 mm	1674 mm	372.33.698

PAGE AMENDED
26.05.17/2