

BLANKET BOX LID STAYS

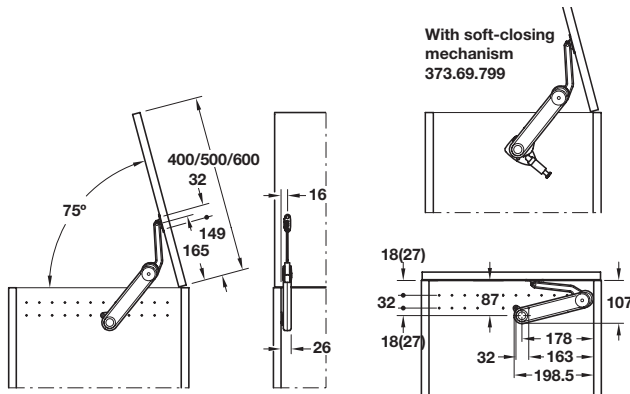
Maxi up 3675 blanket box lid stay, for wooden lids



- > Approx. 75° opening angle
- > Colour: Model F: blue, Model G: brown, Model H: black
- > Clips onto mounting brackets - Not included please order separately
- > Stay: nickel plated zinc alloy, cover cap for adjusting screw: grey plastic
- > Order fixing screws separately
- > Order qty: 1 pc

Sample measurements table for max. flap weight

Model	F	G	H
Flap height	Flap weight		
1 Flap fitting			
400 mm	1.6-3.1 kg	3.0-5.3 kg	5.2-9.4 kg
500 mm	1.3-2.6 kg	2.5-4.2 kg	4.3-7.5 kg
600 mm	1.1-2.5 kg	2.3-4.2 kg	4.0-6.7 kg
2 Flap fittings			
400 mm	3.2-6.2 kg	6.6-10.6 kg	10.4-18.8 kg
500 mm	2.6-5.2 kg	5.0-8.4 kg	8.6-15.0 kg
600 mm	2.2-5.0 kg	4.6-8.4 kg	8.0-13.4 kg



Model	Colour	Cat. No.
F	Blue	373.85.700
G	Brown	373.85.701
H	Black	373.85.702



Soft-closing mechanism 373.69.799 can also be used with the Maxi up 3675 fittings, shown on page 258

YOU ALSO NEED:



CONCEALED CUP HINGES
Page 331



MOUNTING BRACKETS
Shown below

Mounting bracket



- > For mounting the lid stay to the cabinet
- > Nickel-plated steel
- > Order fixing screws separately
- > Order qty: 1 pc



	Cat. No.
For edge distance (cabinet) 37 mm	373.69.906
For edge distance (cabinet) 28 mm	373.69.907

Mounting bracket



For wooden flaps or flaps with aluminium frame, from frame width 45 mm



For flaps with aluminium frame, frame width 20 mm

- > For mounting the lid stay to the lid
- > Nickel-plated steel
- > Order fixing screws separately
- > Order qty: 1 pc



Installation Cat. No.

For wooden flaps or flaps with aluminium frame, from frame width 45 mm

With slide-on clip (for quick fixing), for Varianta special screw 373.69.908

With slide-on clip (for quick fixing) for chipboard screws 373.69.912

For flaps with aluminium frame, frame width 20 mm

With slide-on clip (for quick fixing) 373.69.909

Without slide-on clip 373.69.905