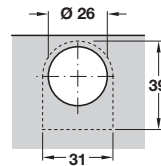


TIOMOS 95° GLASS DOOR HINGE



- > For glass thickness 4-6 mm
- > Opening angle 95°, Ø 26 mm cup
- > Flat hinge arm
- > 3-dimensional adjustment with appropriate mounting plate
- > With convenient depth adjustment
- > Without soft close
- > Screw fixing cup
- > Click on arm
- > Nickel-plated zinc alloy cup and arm
- > Order fixing screws separately
- > Order qty: 1 pc

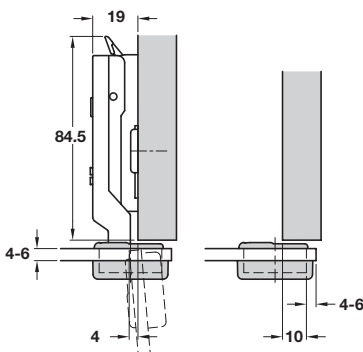
Drilling pattern for cup fixing



Drilling pattern for screw fixing



Full overlay mounting



Door overlay mm						
13	14	15	16	17	18	
		3	4	5	6	0
3	4	5	6			2
Distance to cup E mm			Mounting plate height mm			



Soft close	Screw fixing
Without	348.44.500

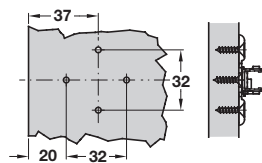
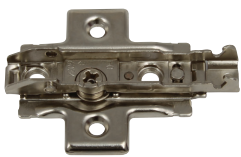
YOU ALSO NEED:

MOUNTING PLATES
Pages 364-366

FIXING SCREWS
Page 468

OPTIONAL ACCESSORIES
Pages 367-368, 403-417

Cruciform mounting plate, 4 point fixing



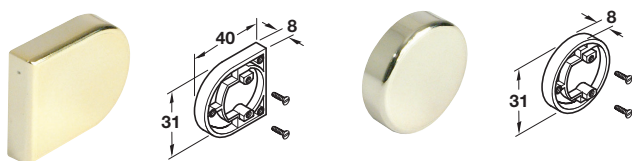
A wider range of mounting plates are shown on pages **364-366**

- > For TIOMOS click on fixing hinges only
- > Hospa screw fixing
- > Two part plate with ± 2 mm height adjustment via worm screw
- > Nickel-plated steel
- > Order fixing screws separately
- > Order qty: 1 pc



Height	Hospa screw
0 mm	348.38.511

Cover caps



- > Plastic
- > Order qty: 1 pc (*multiples of 10 pcs)



Finish	D shaped	Round
Polished brass	324.05.824	324.05.833
Polished chrome	324.05.726	324.05.735
Satin nickel	324.05.628	324.05.637*