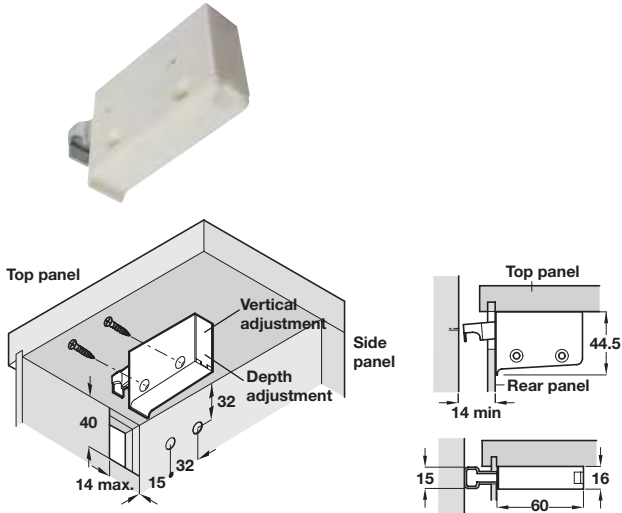


Cabinet hanger, screw fixing



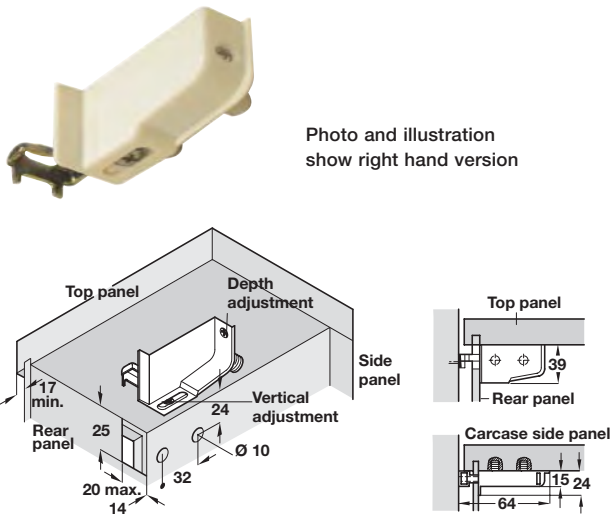
- > Unhanded
- > Screw fixing
- > Load carrying capacity 130 kg
- > Two-way adjustment
- > Plastic
- > Order fixings separately
- > Order qty: 1 pc

> Wall plate or rail must be ordered separately, shown on page 185



Finish	Cat. No.
White	290.00.740

Cabinet hanger, Ø 10 mm dowel fixing

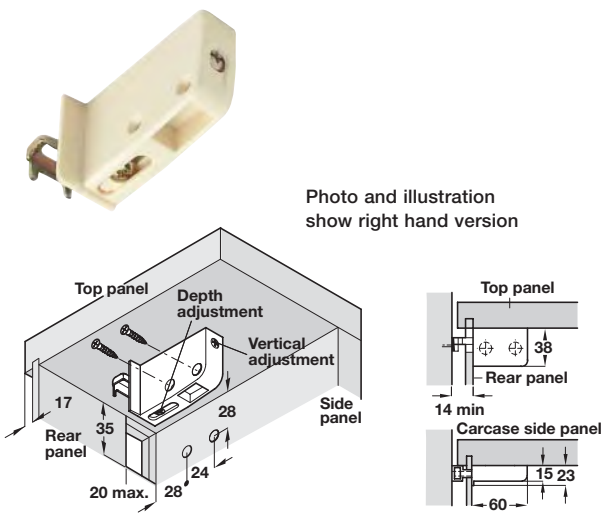


- > Handed
- > Dowel fixing
- > Load carrying capacity 65 kg
- > Two-way adjustment
- > Plastic
- > Order qty: 1 pc

> Wall plate or rail must be ordered separately, shown on page 185

Finish	Left hand	Right hand
Cream white (RAL 9001)	290.18.451	290.18.450

Cabinet hanger, screw fixing



- > Handed
- > Screw fixing
- > Load carrying capacity 65 kg
- > Two-way adjustment
- > Plastic
- > Order qty: 1 pc

> Wall plate or rail must be ordered separately, shown on page 185



Finish	Left hand	Right hand
Cream-white (RAL 9001)	290.00.401	290.00.400



For safety reasons, the cabinet hangers must be fitted in the upper third of the cabinet