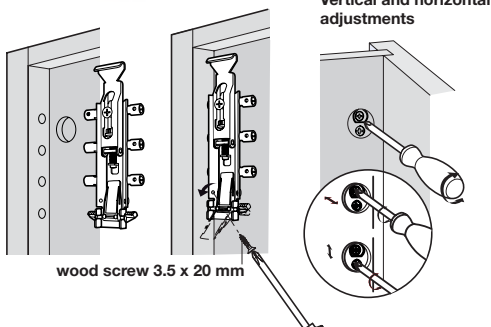
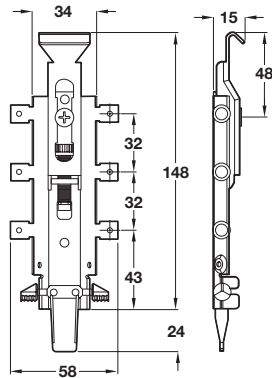


## Spider concealed cabinet hanger, dowel fixing

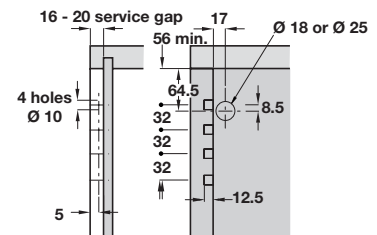


- > Unhanded
- > Cabinet hanger concealed behind rear panel, only cover cap visible inside the cabinet
- > Slots into cabinet side by making 4 face borings and secured in position by rotating the locking pin with ridges 180°
- > A 3.5 x 20 mm lateral wood screw permanently secures the cabinet hanger in place (not provided)
- > Load carrying capacity: 130 kg per pair (Load carrying capacity applies to 2 cabinet hangers bearing an evenly distributed load in accordance with regulation DIN 68840)
- > Two-way adjustment:
  - Vertical adjustment: 0-18 mm (Vertical adjustments through front gear cross socket interconnected to the vertical bolt, which reduces the cabinet adjustment effort)
  - Horizontal adjustment: 11-17 mm
- > Zinc-plated steel
- > Order qty: 1 pc

Cat. No.	
Spider cabinet hanger	290.36.910

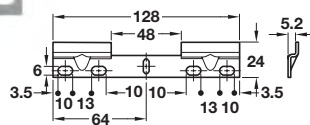


Cabinet hangers should only be adjusted with a hand tool and not a power tool



Wall plates and cover caps must be ordered separately, shown below

## Double wall fixing plate, for Spider concealed cabinet hanger



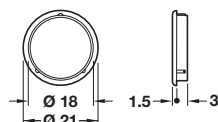
- > For use with Spider concealed cabinet hanger 290.36.910
- > To split in two parts
- > Steel
- > Order qty: Multiples of 10 pcs

Cat. No.	
Finish	Zinc-plated
	290.35.911

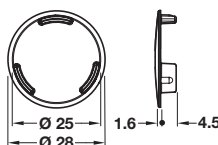
## Round cover caps, for Spider concealed cabinet hanger



For Ø 18 mm hole



For Ø 25 mm hole



- > For use with Spider concealed cabinet hanger 290.36.910
- > Nickel-plated zinc alloy
- > Order qty: Multiples of 100 pcs

Cat. No.	
For hole Ø	
Ø 18 mm	290.36.791
Ø 25 mm	290.36.793