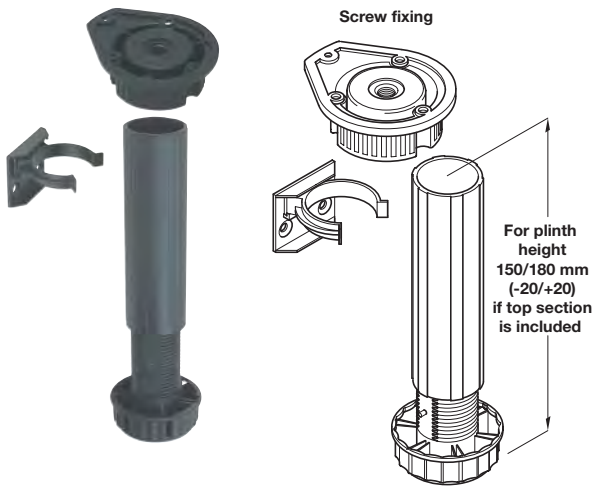


ADJUSTABLE PLINTH FEET SETS

Plinth foot set, screw fixing



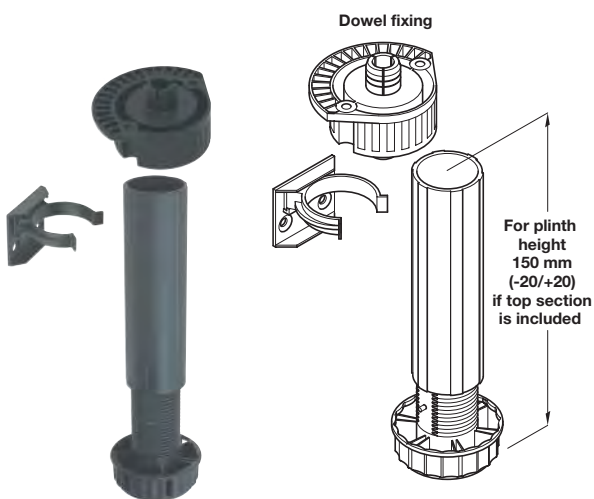
- > For plinth height 150 or 180 mm
- > Black plastic
- > Order qty: Cat. No. 637.96.303: Multiples of 35 sets
Cat. No. 637.96.304: 1 set



Order screw and cover cap separately if required, shown on page 198

Item	Cat. No.
Top section	4 pcs
Foot and shaft	4 pcs
Plinth clip and bracket	2 pcs
For 150 mm plinth height	637.96.303
For 180 mm plinth height	637.96.304

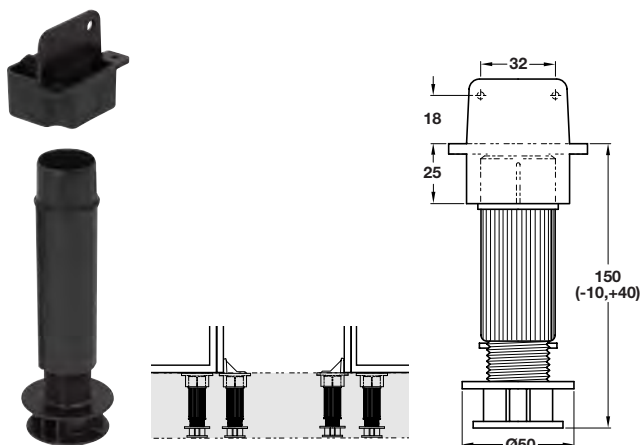
Plinth foot set, dowel fixing



- > For plinth height 150 mm
- > With Ø 15 mm spreading dowel for fixing to the underside of cabinet bases
- > Black plastic
- > Order qty: Multiples of 35 sets

Item	Cat. No.
Top section	4 pcs
Foot and shaft	4 pcs
Plinth clip and bracket	2 pcs
For 150 mm plinth height	637.96.313

Adjustable plinth set



- > Consists of:
4x foot and shaft section
4x plinth bracket
- > For use where cabinets have no bases
- > Plastic
- > Order qty: Multiples of 30 sets

Finish	Cat. No.
Black	637.97.300

KITCHEN ACCESSORIES 2015, © Häfele U.K. Ltd 2015. Dimensional data not binding. We reserve the right to alter specifications without notice.