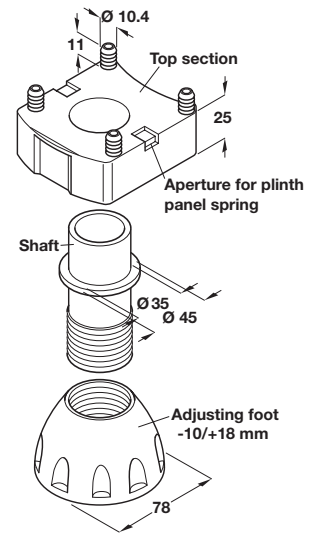
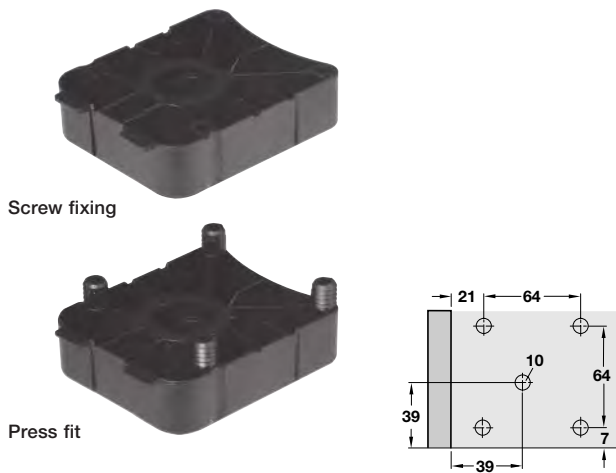


# ADJUSTABLE PLINTH FEET



## Plinth foot top section



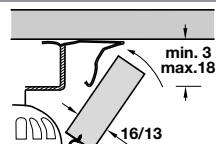
- > Screw fixing or press fit
- > Black plastic
- > Order qty: Multiples of 10 pcs



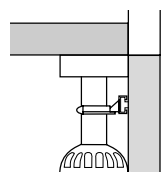
Plinth shaft with base and plinth panel clips, shown below and on page **203**

Fixing	Screw fixing	Press fit
Cat. No.	637.81.301	637.81.302

## Plinth shaft with base



Mounting the front plinth panel with plinth spring (order separately)



Mounting the plinth panel with the plinth panel clip (order separately)

- > Shaft screws into base
- > -10/+18 mm adjustment
- > Black plastic
- > Order qty: Multiples of 10 pcs



Plinth foot top sections and plinth panel spring, shown above and on page **203**

For plinth height	Cat. No.
80 mm	637.81.371
100 mm	637.81.372
120 mm	637.81.373
150 mm	637.81.375
180 mm	637.81.376
200 mm	637.81.377