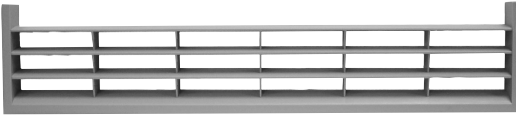
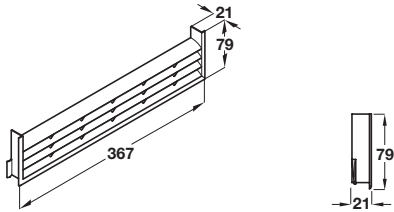


Ventilation grill



- > For fitting into top of plinths, recess mounting
- > Recessed length 355 mm
- > For 16 mm board thickness
- > Press clip fitting
- > With flanged rim
- > Plastic
- > Order qty: 1 pc

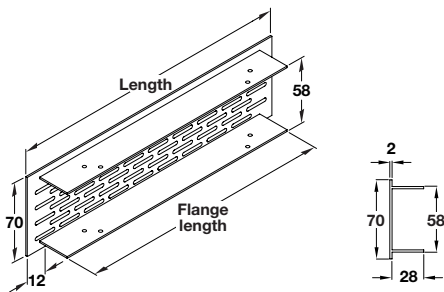


Finish	Cat. No.
Beige	559.99.450
White	559.99.750
Stainless steel	559.99.050

Ventilation grill

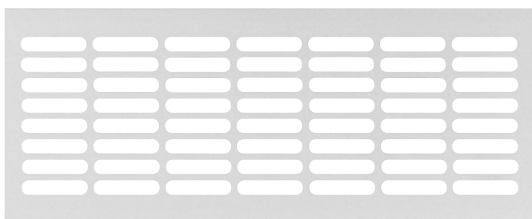


- > For recess mounting
- > For press fitting and screw mounting
- > Front edges bevelled all round
- > With 20 x 3 mm oval slots arranged in an offset pattern
- > Silver matt anodised aluminium
- > Order qty: 1 pc

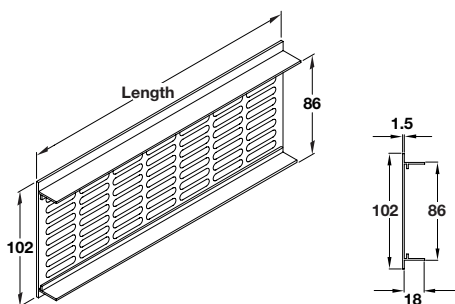


Ventilation area	Length	Flange length	Cat. No.
44 cm ²	250 mm	226 mm	575.00.919
88 cm ²	500 mm	476 mm	575.00.928

Ventilation grill



- > For recess mounting
- > Press fitting
- > Long front edges bevelled
- > With 30 x 6 mm oval slots arranged in parallel
- > Silver matt EV1 anodised aluminium
- > Order qty: 1 pc



Ventilation area	Length	Cat. No.
90 cm ²	250 mm	575.13.916
193 cm ²	500 mm	575.13.925

KITCHEN ACCESSORIES 2015, © Hafele U.K. Ltd 2015. Dimensional data not binding. We reserve the right to alter specifications without notice.