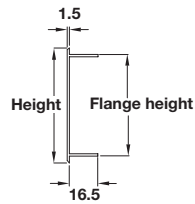
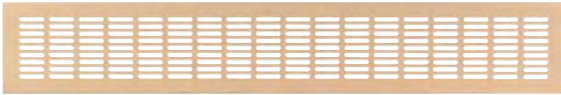


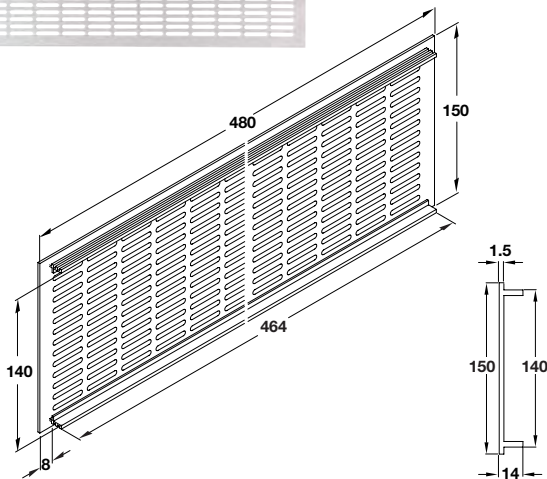
## Ventilation grill



- > For recess mounting
- > 480 mm length
- > 436 mm recessed length
- > Harpoon-type flanges for press fitting
- > Front edges bevelled all round
- > With 20 x 3 mm oval slots arranged in parallel
- > Anodised aluminium
- > Order qty: 1 pc

Ventilation area	Height	Flange height	Silver	Gold	Bronze
100.2 cm <sup>2</sup>	80 mm	65 mm	575.05.923	575.05.823	575.05.023
133.6 cm <sup>2</sup>	100 mm	86 mm	575.05.933	-	-

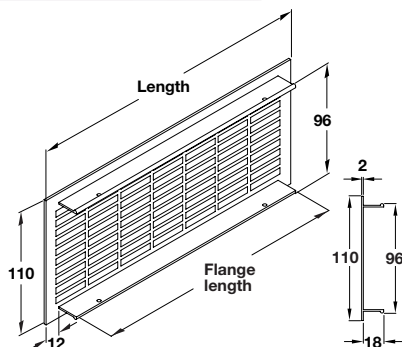
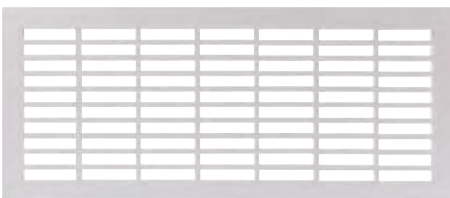
## Ventilation grill



- > 202.8cm<sup>2</sup> ventilation area
- > For recess mounting
- > Harpoon-type flanges for press fitting
- > Long front edges bevelled
- > With 30 x 4 mm oval slots arranged in parallel
- > Anodised aluminium
- > Order qty: 1 pc

Finish	Cat. No.
Matt silver	575.09.921

## Ventilation grill



- > For recess mounting
- > Flanges are ribbed and drilled for press fit and screw mounting
- > Long front edges bevelled
- > With 30 x 6 mm rectangular slots arranged in parallel
- > Anodised aluminium in matt silver finish
- > Order qty: 1 pc

Ventilation area	Length	Flange length	Cat. No.
126 cm <sup>2</sup>	250 mm	226 mm	575.01.916
252 cm <sup>2</sup>	500 mm	476 mm	575.01.925