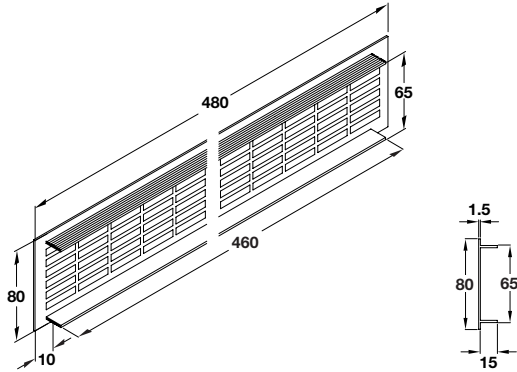
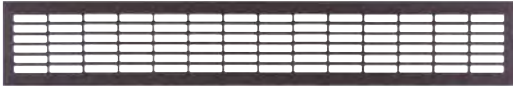


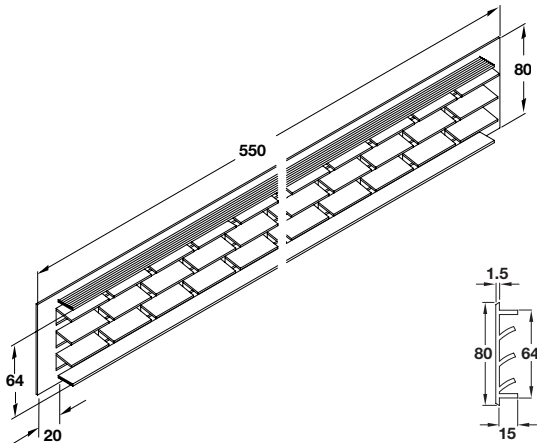
Ventilation grill



- > 150.4cm² ventilation area
- > For recess mounting
- > Ribbed flanges for press fitting
- > Front edges bevelled all round
- > With 30 x 6 mm rectangular slots arranged in parallel
- > Anodised aluminium
- > Order qty: 10 pcs

Finish	Cat. No.
Silver matt F1	575.04.917
Dark brown MC4	575.04.113

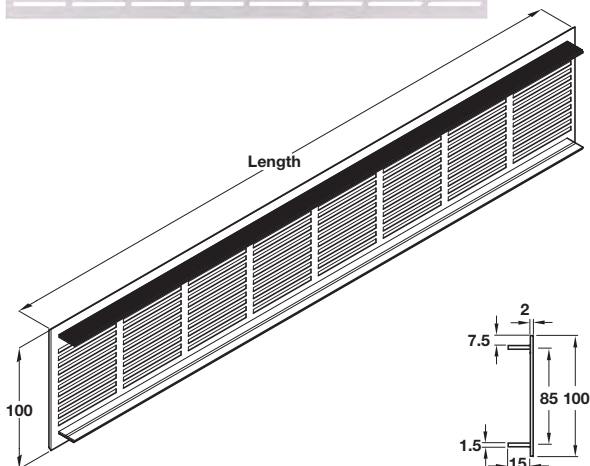
Ventilation grill



- > 200cm² ventilation area
- > For recess mounting
- > Ribbed flanges for press fitting
- > Front edges bevelled all round
- > With open 39 x 14.5 mm rectangular slots arranged in parallel
- > Anodised aluminium
- > Order qty: 1 pc

Finish	Cat. No.
Silver matt F1	575.25.937

Ventilation grill



- > With straight notched 7.5 mm ribbed flanges on both sides for press fitting
- > With slots
- > Anodised aluminium
- > Order qty: 1 pc

Ventilation area	Length	Max. installation dims.	Silver F1
157.2 cm ²	500 mm	485 x 85 mm	575.28.934
314.4 cm ²	1000 mm	985 x 85 mm	575.28.935
628.9 cm ²	2000 mm	1985 x 85 mm	575.28.936

KITCHEN ACCESSORIES 2015, © Hafele U.K. Ltd 2015. Dimensional data not binding. We reserve the right to alter specifications without notice.