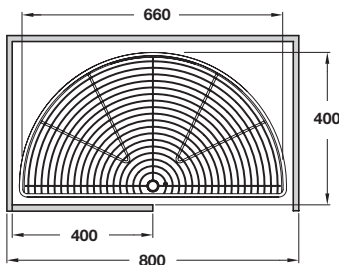


CHROME WIRE HALF CAROUSEL SETS

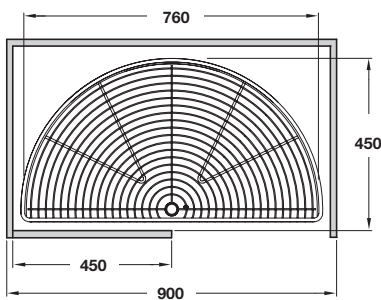
Half carousel sets with chrome wire trays to suit 800 or 900 mm corner cabinets.



Half carousel sets



Max. 9 kg per shelf



Max. 11 kg per shelf

- > Suitable for 800 or 900 mm corner cabinets
- > Spindle vertically adjustable from 645 to 790 mm, spindle can be cut to fit cabinets with height less than 645 mm
- > Shelves swivel independently
- > For fitting in cabinets with hinged doors
- > Supplied with fast block fittings for easy installation
- > Set includes:
 - 2x Half carousel shelves
 - 1x Spindle
 - 1x Fitting set comprising top and bottom fittings and shelf bearings
- > Chrome-plated steel shelves, chromed steel spindle, silver plastic fittings and shelf bearings
- > Order qty: 1 set

Corner base unit 800	Corner base unit 900	Fixings included
----------------------	----------------------	------------------

Min. cabinet width	800 mm	900 mm
Min. door width	400 mm	450 mm
Cat. No.	542.41.260	542.41.270

KITCHEN ACCESSORIES 2015, © Hafele U.K. Ltd 2015. Dimensional data not binding. We reserve the right to alter specifications without notice.