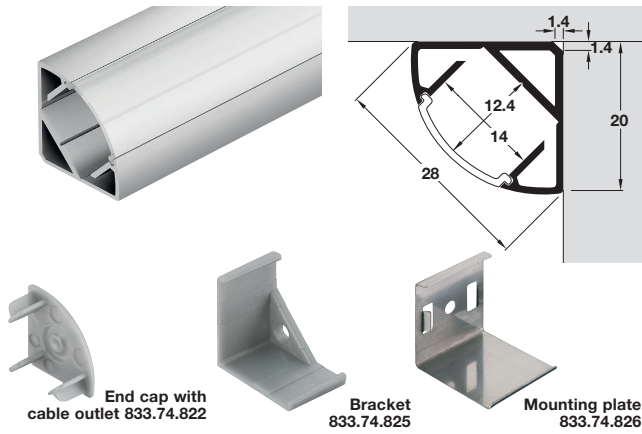


# LOOX ALUMINIUM PROFILES

For LED flexible strip lights.

## Loox aluminium corner profile, for Loox LED flexible strip lights, surface mounting

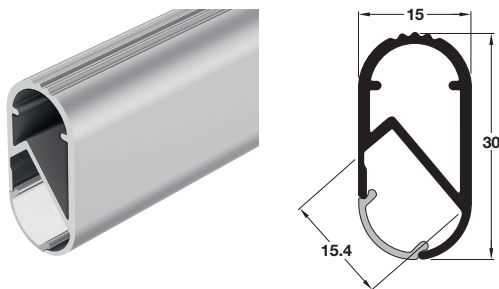


- > Order profiles, end caps, brackets and plates separately
- > For corner mounting
- > With milky cover
- > Silver coloured anodised aluminium profile
- > Order qty:
  - Profile: 1 pc
  - End caps, brackets and mounting plates: 1 pair

Profile	Milky cover	
2500 mm length	833.74.812	
End caps and accessories	Order separately	
End caps	Silver coloured plastic	833.74.822
Brackets	Silver coloured plastic	833.74.825
Mounting plates	Silver coloured stainless steel	833.74.826

Diffuser	Visible LED points					
	LED 2029	2037	2043	2045	3013	3015
Milky	X	X	✓	X	✓	X

## Loox aluminium wardrobe rail profile, light output 40°



- > For built-in installation
- > Order end support 803.33.757 and centre support 802.05.200 separately, shown below
- > With frosted plastic cover
- > Silver coloured anodised aluminium profile
- > Order qty: 1 pc



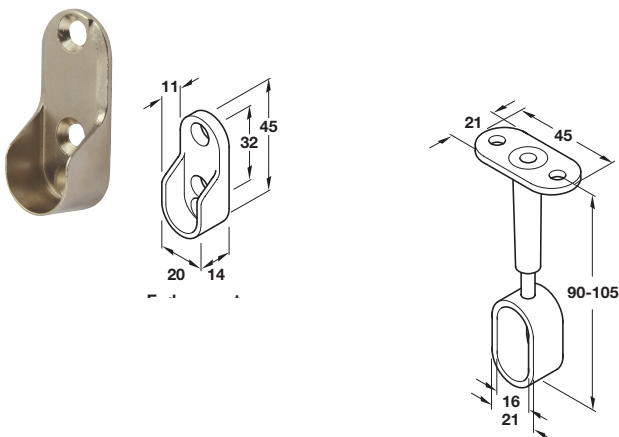
Diffuser	Visible LED points					
	LED 2029	2037	2043	2045	3013	3015
Frosted	✓	✓	✓	✓	✓	✓



- > Suitable for max. 10 mm clip connector width
- > Not suitable for RGB strip lights

Profile	Frosted cover
2500 mm length	833.72.790

## Rail supports, for use with oval wardrobe rails



- > Rail end support:
  - For use with oval wardrobe rails, 15 mm wide
  - Zinc alloy
  - Order qty: Multiples of 10 pcs
- > Rail centre support, height adjustable
  - Height adjustable 90-105 mm
  - For use with oval wardrobe rails, 15 mm wide
  - Zinc alloy
  - Order qty: 1 pc
- > Requires Hospa Ø 3.5 and Ø 4.5 countersunk fixing screws

Rail end support	Cat. No.
Polished nickel-plated	803.33.757
Rail centre support	
Polished chrome	802.05.200