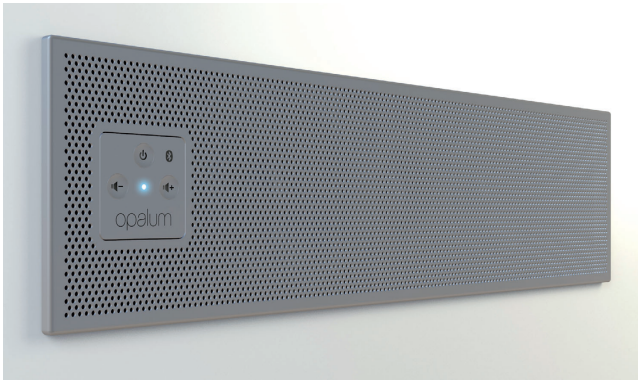
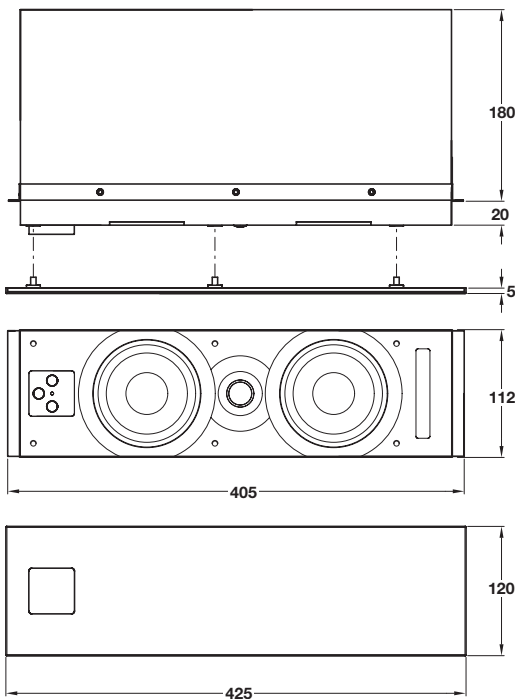


## STORM bluetooth audio system



- > Speaker unit height x width x depth: 405 x 112 x 200 mm
- > Fascia height x width x depth: 425 x 120 x 5 mm
- > Designed specifically for furniture integration
- > Can be installed vertically or horizontally, control panel can be rotated
- > Stereo or Mono capability. Can be digitally linked to another unit to run as a stereo system
- > Designed for flush or recessed installation
- > 80W music power per unit
- > Actisonic patented sound technology
- > Simple and flexible installation process
- > Link to TV through headphone jack
- > Front fascia: Solid steel, silver grey grill, paintable
- > Main body: Matt black cabinet
- > Order qty: 1 pc



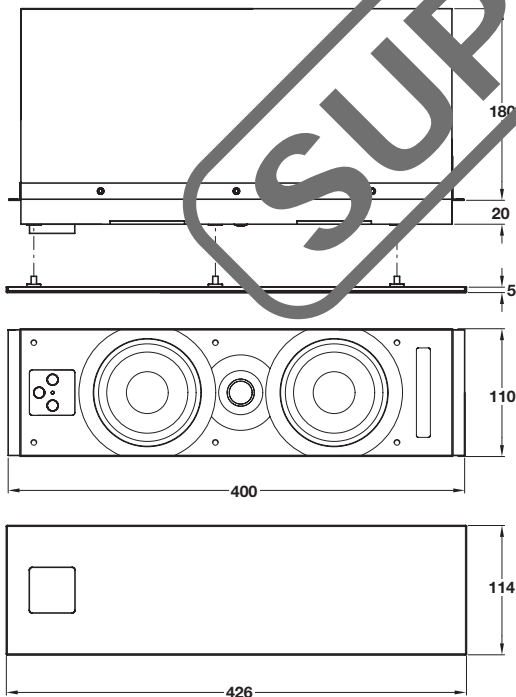
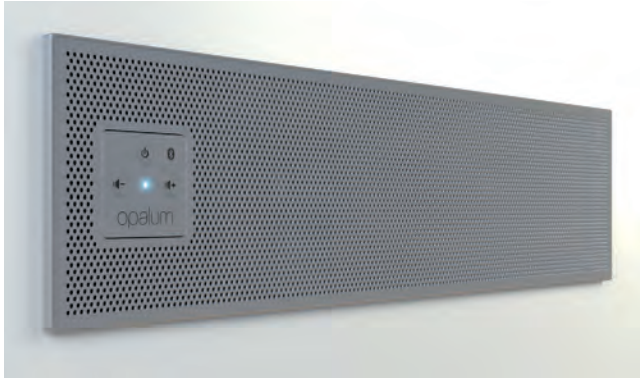
Speaker composition:	2x 3.5" heavy duty woofers 1x silk dome tweeter
Amplifier power:	80W music power
Amplifier type:	Class D
Crossover:	Digital fourth order, fully active
Frequency response:	39-20,000 Hz
Input:	Bluetooth aptX and Aux in
Wireless streaming:	Bluetooth aptX



Finish  
Silver

Cat. No.  
822.64.053

## STORM bluetooth audio system



- > Height x width x depth: 200 x 110 x 400 mm
- > Designed specifically for furniture integration
- > Can be installed vertically or horizontally, control panel can be rotated
- > Stereo or Mono capability. Can be digitally linked to another unit to run as a stereo system
- > Designed for flush or recessed installation
- > 80W music power per unit
- > Actisonic patented sound technology
- > Simple and flexible installation process
- > Link to TV through headphone jack
- > Front facia: Solid steel, silver grey grill, paintable
- Main body: Matt black cabinet
- > Order qty: 1 pc

SUPERSEDED

Speaker composition:	2x 3.5" heavy duty woofers 1x silk dome tweeter
Amplifier power:	80W music power
Amplifier type:	Class D
Crossover:	Digital fourth order, fully active
Frequesncy response:	39-20,000 Hz
Input:	Bluetooth aptX and Aux in
Wireless streaming:	Bluetooth aptX



Finish  
Silver

Cat. No.  
822.64.053