

Plain Victorian lever handles on plate, zinc alloy



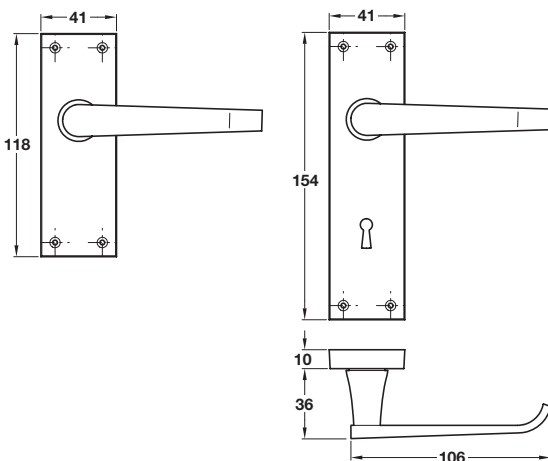
Backplates for latch



Backplates for lever lock

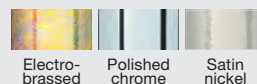


Backplates for bathroom lock



Note: ±3 mm tolerance on dimensions

- > Pair of lever handles on face fixing back plates
- > Sprung, for use with standard duty followers
- > To suit doors up to 44 mm thick
- > 8 mm spindle included
- > Zinc alloy
- > Order qty: 1 pair/1 set*



Version	Electro-brassed	Polished chrome	Satin nickel
Backplate for latch	901.78.359	901.98.886	901.78.360
Backplate for lever lock	901.78.361	901.98.888	901.78.362
Backplate for bathroom lock*	901.78.363	901.98.890	901.78.364