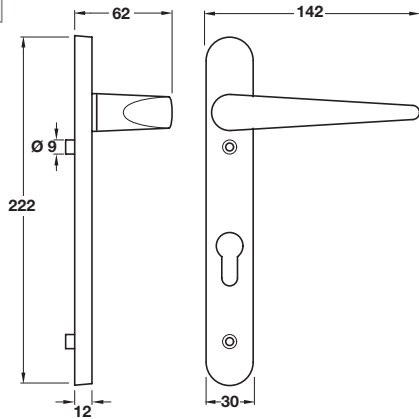


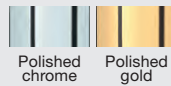
## Multipoint lever handles on plate, zinc alloy



Backplates for euro profile cylinder multi-point lock



- > Pair of lever handles on profile cylinder lock backplates, designed to suit multipoint locks with 92 mm lock centres
- > Unprung, for use with heavy duty followers
- > To suit doors 44-54 mm thick
- > 8 mm spindle included
- > Die cast zinc alloy
- > Order qty: 1 pair

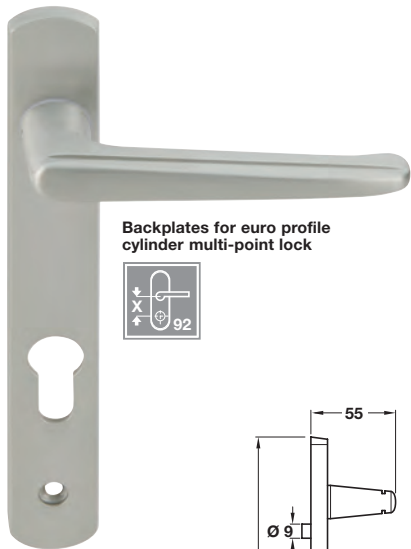


Finish	Cat. No.
Polished chrome	901.80.812
PVD polished gold	901.80.815

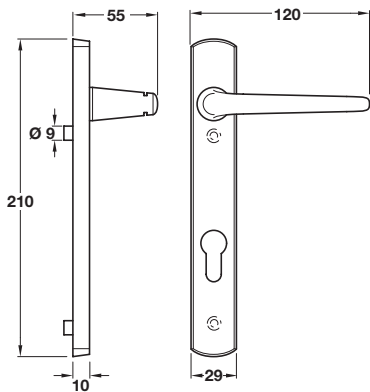


Note: Internal handle of pair shown  
(External handle has concealed fixing)

## Multipoint lever handles on plate, zinc alloy



Backplates for euro profile cylinder multi-point lock



- > Pair of lever handles on profile cylinder lock backplates, designed to suit multipoint locks with 92 mm lock centres
- > Unprung, for use with heavy duty followers
- > To suit doors 44-54 mm thick
- > 8 mm spindle included
- > Die cast zinc alloy
- > Order qty: 1 pair



Finish	Cat. No.
Satin silver	901.80.826
Polished silver	901.80.829



Note: Internal handle of pair shown  
(External handle has concealed fixing)