

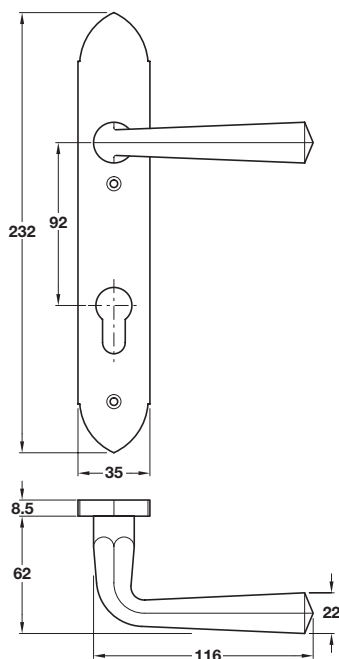
GRAFTON multi-point lever on backplate, malleable iron



Backplates for profile cylinder multi-point lock



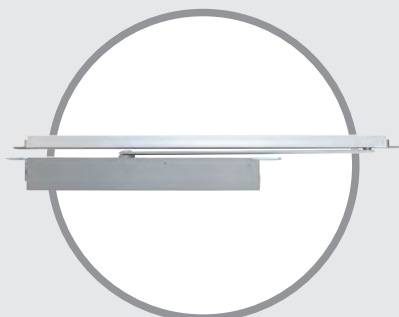
- > Pair of lever handles on profile cylinder lock backplates, designed to suit multi-point locks with 92 mm lock centres
- > Unprung, for use with heavy duty followers
- > To suit doors 44 mm thick
- > Grub screw fixing on 8 mm spindle included
- > Malleable iron
- > Order qty: 1 pair



Finish
Smooth black powder coated

Cat. No.
901.79.191

RELATED PRODUCTS



Geze boxer single action concealed overhead door closer

German efficiency in door controls.

- > Product shown is **931.17.903**
- > For full details see **Section 4** page **29**



Häfele stainless steel ball bearing butt hinge, 102 x 76 mm

High quality grade 304 stainless steel hinge, tested to BSEN 1935.

- > Product shown is **926.90.203**
- > For full details see **Section 3** page **18**



Startec mortice profile cylinder lock

Häfele manufactured high quality DIN lock cases.

- > Product shown is **911.02.145**
- > For full details see **Section 5** page **5**