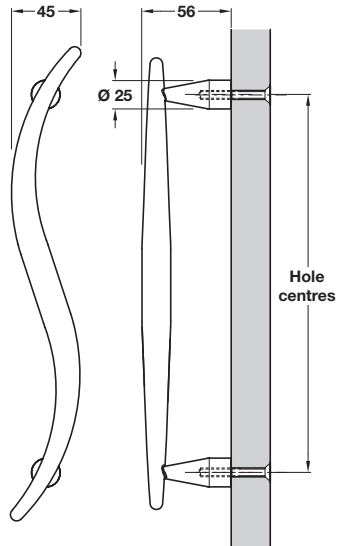


GRADE 316 STAINLESS STEEL

A wide range of pull handle designs. Available in a wide range of materials and finishes.

TUSK pull handle, bolt through fixing, grade 316 stainless steel

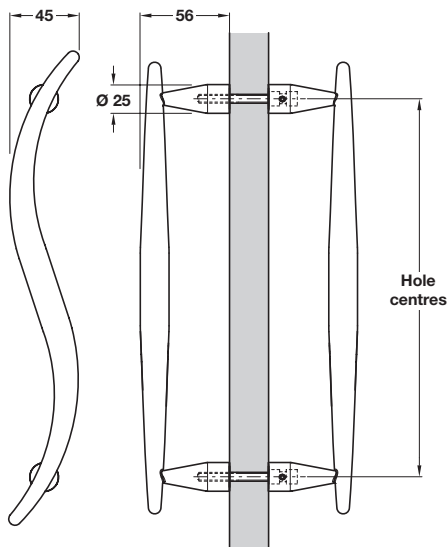


- > Single pull handle
- > Bolt through fixing
- > M8 through fixing bolts included
- > To suit doors up to 54 mm thick
- > Grade 316 stainless steel
- > Order qty: 1 pc



Hole centres	Cat. No.
Satin stainless steel	
250 mm	903.06.930
Polished stainless steel	
250 mm	903.06.931

TUSK pull handle, back to back fixing, grade 316 stainless steel



- > Pair of pull handles
- > Back to back fixing
- > M8 through fixing bolts included
- > To suit doors up to 54 mm thick
- > Grade 316 stainless steel
- > Order qty: 1 pair



Hole centres	Cat. No.
Satin stainless steel	
250 mm	903.06.940
Polished stainless steel	
250 mm	903.06.941



- > Back to back glass door fixing bolts are shown on page 144
- > Co-ordinating levers on round roses are shown on page 6