

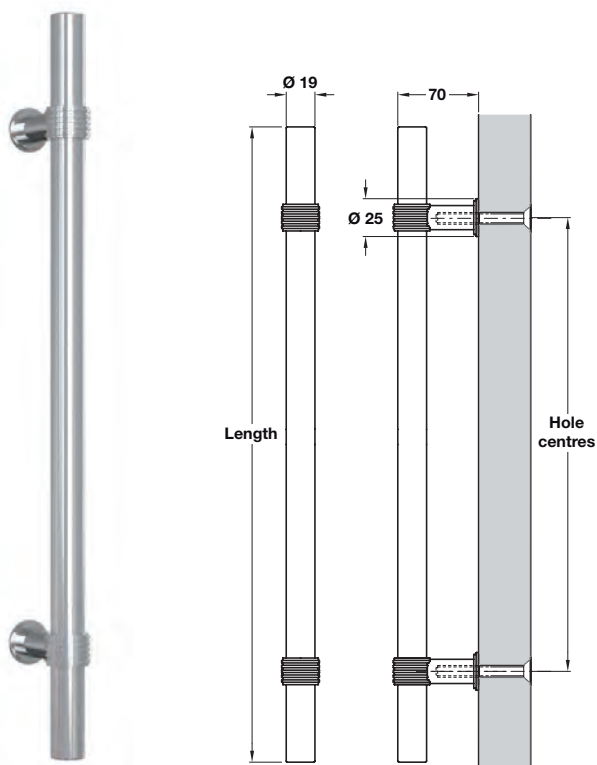
BRASS

1

A wide range of pull handle designs. Available in a wide range of materials and finishes.

Door Handles: Pull Handles

DUNE pull handle, bolt through fixing, brass

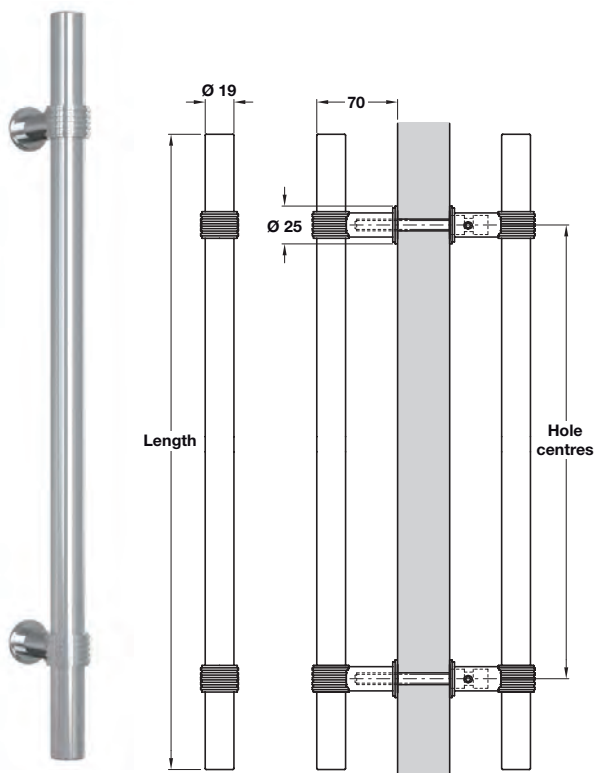


- > Single pull handle
- > Bolt through fixing
- > M8 through fixing bolts included
- > To suit doors up to 54 mm thick
- > Brass
- > Order qty: 1 pc



Hole centres	Cat. No.
Satin nickel-plated	
300 mm	903.06.950
425 mm	903.06.960
600 mm	903.06.970
Polished chrome-plated	
300 mm	903.06.951
425 mm	903.06.961
600 mm	903.06.971

DUNE pull handle, back to back fixing, brass



- > Pair of pull handles
- > Back to back fixing
- > M8 through fixing bolts included
- > To suit doors up to 54 mm thick
- > Brass
- > Order qty: 1 pair



Hole centres	Cat. No.
Satin nickel-plated	
300 mm	903.06.980
425 mm	903.06.990
600 mm	903.07.000
Polished chrome-plated	
300 mm	903.06.981
425 mm	903.06.991
600 mm	903.07.001



- > Back to back glass door fixing bolts are shown on page 144
- > Co-ordinating levers on round roses are shown on page 6